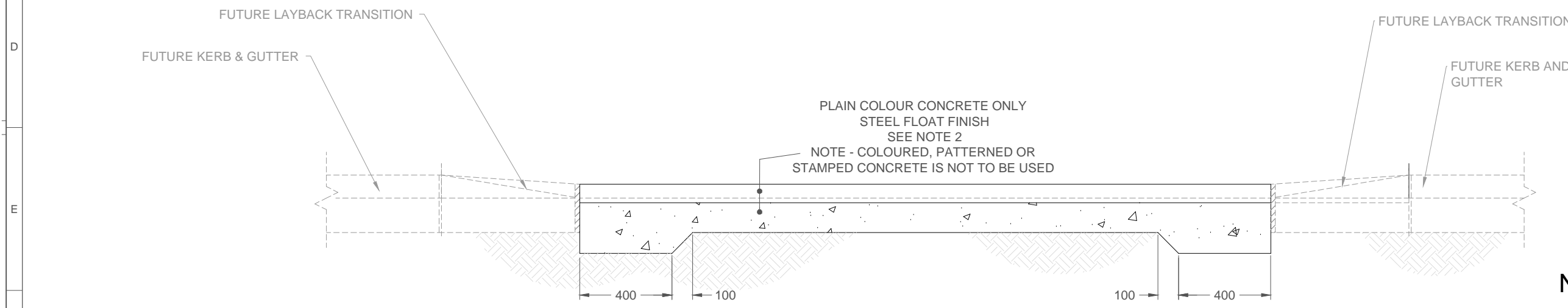
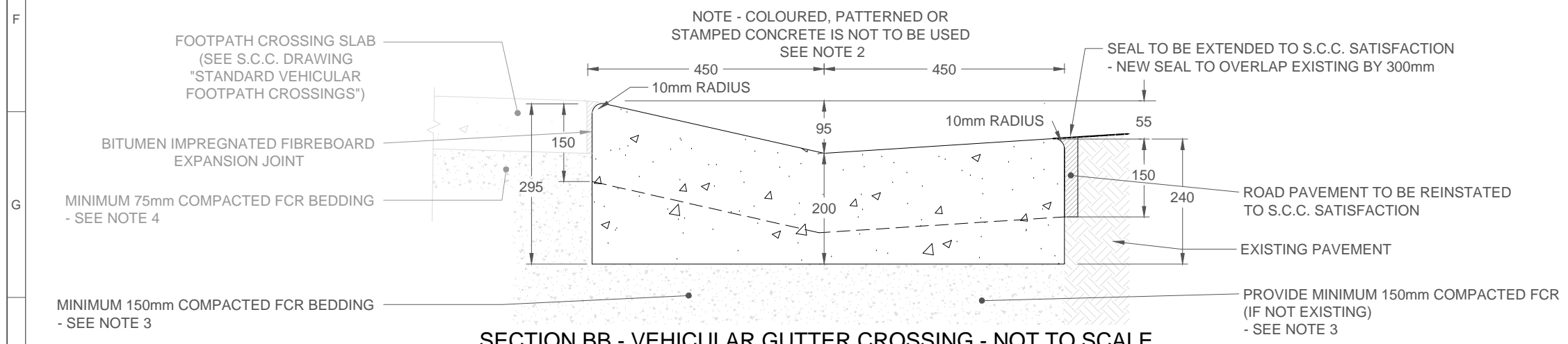


**PLAN - VEHICULAR GUTTER CROSSING - NOT TO SCALE**



**SECTION AA - VEHICULAR GUTTER CROSSING - NOT TO SCALE**



**SECTION BB - VEHICULAR GUTTER CROSSING - NOT TO SCALE**

**NOTES**

1. CONCRETE SHALL HAVE MINIMUM CHARACTERISTIC COMPRESSIVE STRENGTH OF 20MPa AT 28 DAYS.
2. ALL FORMWORK SHALL BE INSPECTED BY COUNCIL PRIOR TO THE PLACEMENT OF ANY CONCRETE.
3. PROVIDE 150mm LAYER OF COMPACTED ROADBASE UNDER CONCRETE. SEE DEVELOPMENT CONSTRUCTION SPECIFICATION C242 FOR COMPACTION REQUIREMENTS.
4. PROVIDE 75mm LAYER OF COMPACTED ROADBASE UNDER CONCRETE. SEE DEVELOPMENT CONSTRUCTION SPECIFICATION C242 FOR COMPACTION REQUIREMENTS.
5. ALL DIMENSIONS ARE IN MILLIMETRES

VALIDATION DATE: 18th JUNE 2014	DRAWN BY: A. MANLY	<p><b>CITY OF SHOALHAVEN</b> SUBDIVISION CODE STANDARD VEHICULAR GUTTER CROSSING FOR AREAS WITHOUT KERB AND GUTTER</p>	SCALE: SCALES AS NOTED IN PLAN @ A1 UNLESS NOTED NOT TO SCALE - DO NOT SCALE	MANAGER: ASSET MANAGEMENT	DATE: 18/06/2014
DRAWING FILE: 5104_8.DWG	CHECKED BY: I. DOLLERY		NOTE: This drawing, design and the copyright therein are the property of Shoalhaven City Council. It has been produced by the City Services - Project Delivery Section and must not be used, reproduced or copied wholly or in part without the permission of the Project Delivery Manager.	<p>- PLAN REFERENCE - <b>5104_08</b></p>	