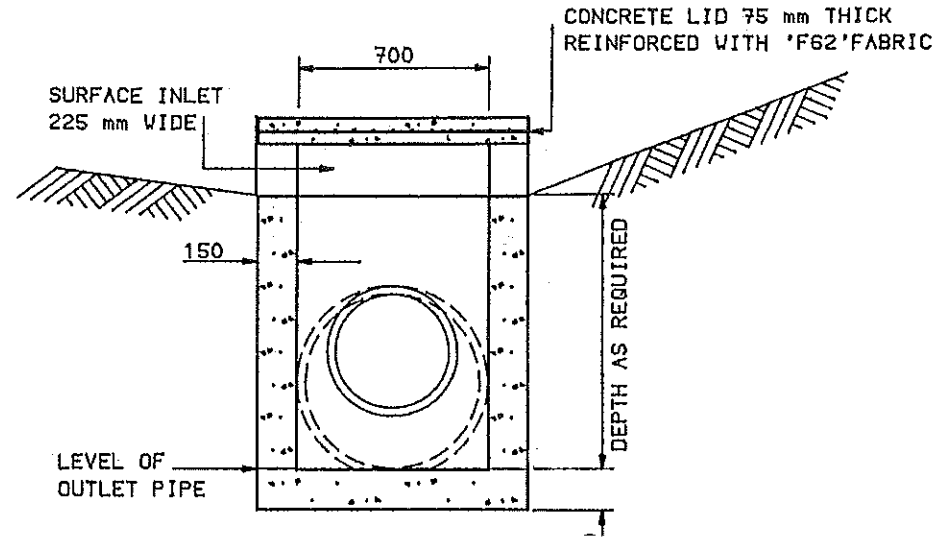


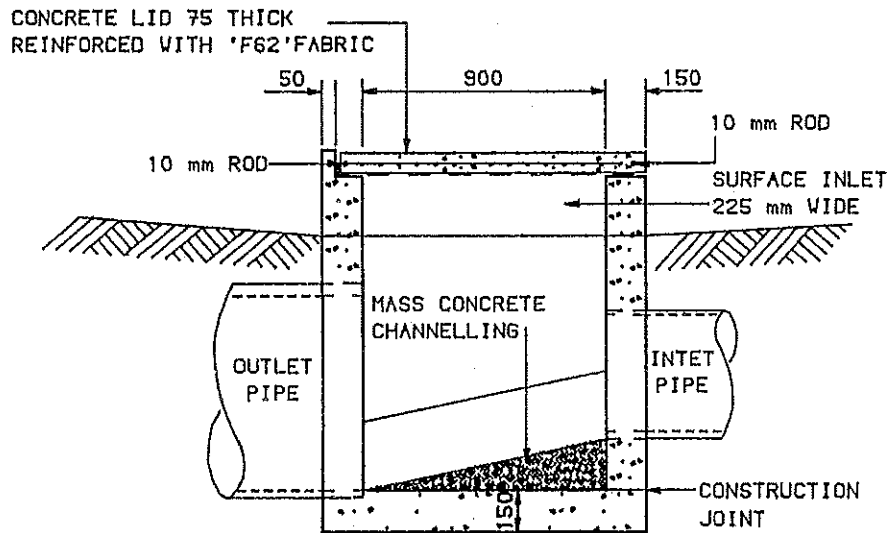
PLAN
(Lid removed)



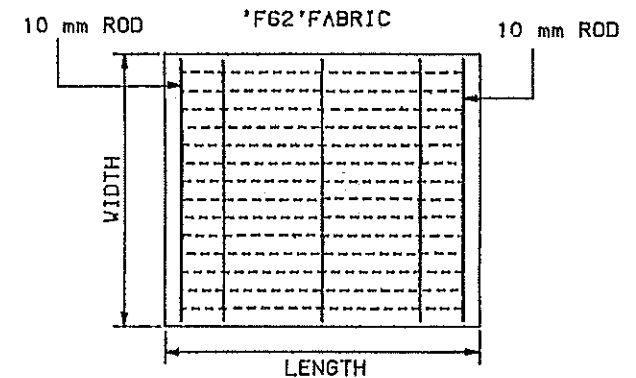
SECTION B-B

NOTES:

1. FORTY EIGHT (48) HOURS NOTICE IS TO BE GIVEN PRIOR TO THE PLACING OF CONCRETE TO ALLOW FOR INSPECTION BY COUNCIL'S OFFICER.
2. LIDS GREATER THAN 10 m WIDE SHALL BE CONSTRUCTED IN HALVES AND SUPPORTED BY TWO 50 x 50 ANGLES SET CENTRALLY INTO THE WALLS.
3. PIPE TRENCHES BACKFILLED WITH SAND SHALL HAVE 3 m OF SUBSOIL DRAINAGE PIPE IN THE BOTTOM OF THE TRENCH AND DRAINING INTO THE PIT.



SECTION C-C



PLAN OF LID SHOWING REINFORCEMENT
(NOT TO SCALE)

Fig. D5.Misc.3



SCALE 1: N.T.S.

SUBDIVISION
CODE

CITY OF SHOALHAVEN
STANDARD SURFACE
INLET PIT

ENGINEERING WORKS
MANAGER

DRAWN	C. FIESELER
CHECKED	J. BLOH
PLAN REF.	263703
DATE	04. MAY 1994