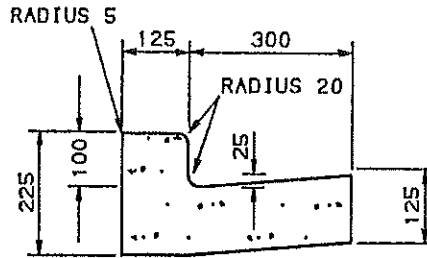
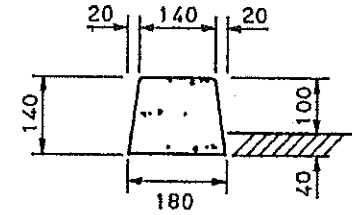


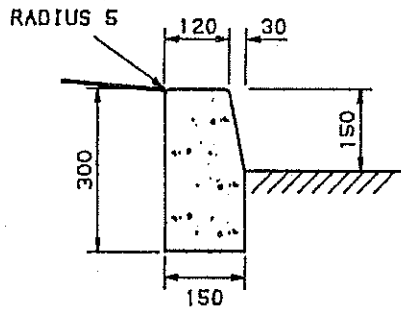
DISHED CROSSING
(Increased waterway)



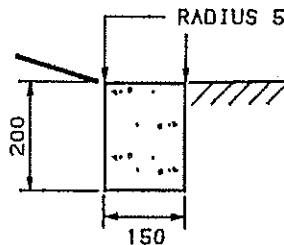
**PATHWAY
KERB & GUTTER**



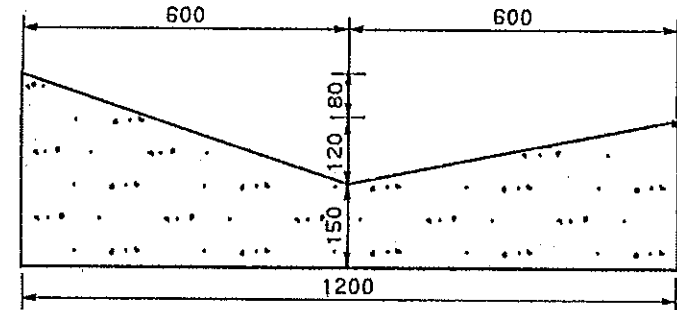
OUTER EDGE OF SHOULDER
(with guard rail)



KERB ONLY



EDGE STRIP



**GUTTER ADJACENT TO
SHOULDERS IN CUTTINGS**

NOTES:

1. ROAD BASECOURSE TO BE EXTENDED BENEATH AND 150 mm BEYOND THE FACE OF KERB AND GUTTER, APRONS AND CROSSINGS.
2. CONCRETE TO BE OF 15 MPa COMPRESSIVE STRENGTH AT 28 DAYS FOR KERBING, GUTTERING AND EDGE STRIPS.
3. ALL WORK IS TO BE APPROVED BY COUNCIL.
4. FORTY EIGHT (48) HOURS NOTICE IS TO BE GIVEN PRIOR TO THE PLACING OF CONCRETE TO ALLOW FOR INSPECTION BY COUNCIL'S OFFICER.

Fig. D5. Misc. 10



SCALE 1:1 N.T.S.

SUBDIVISION
CODE

CITY OF SHOALHAVEN
STANDARD KERB AND
GUTTER SHAPES

SHEET 2

ENGINEERING WORKS
MANAGER

DRAWN C. FIESELER

CHECKED J. BLOH

PLAN REF. 263710

04 MAY 1994