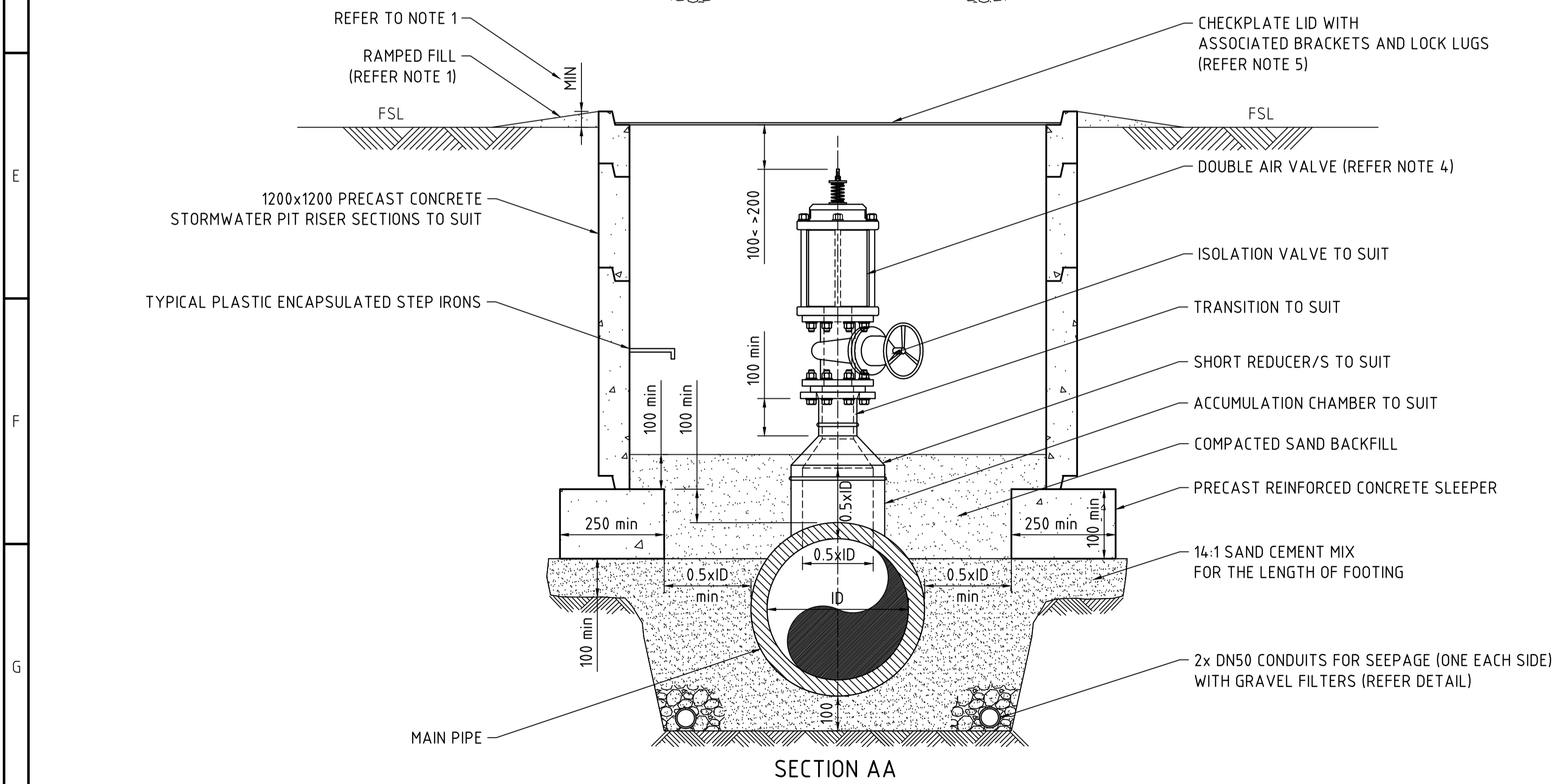
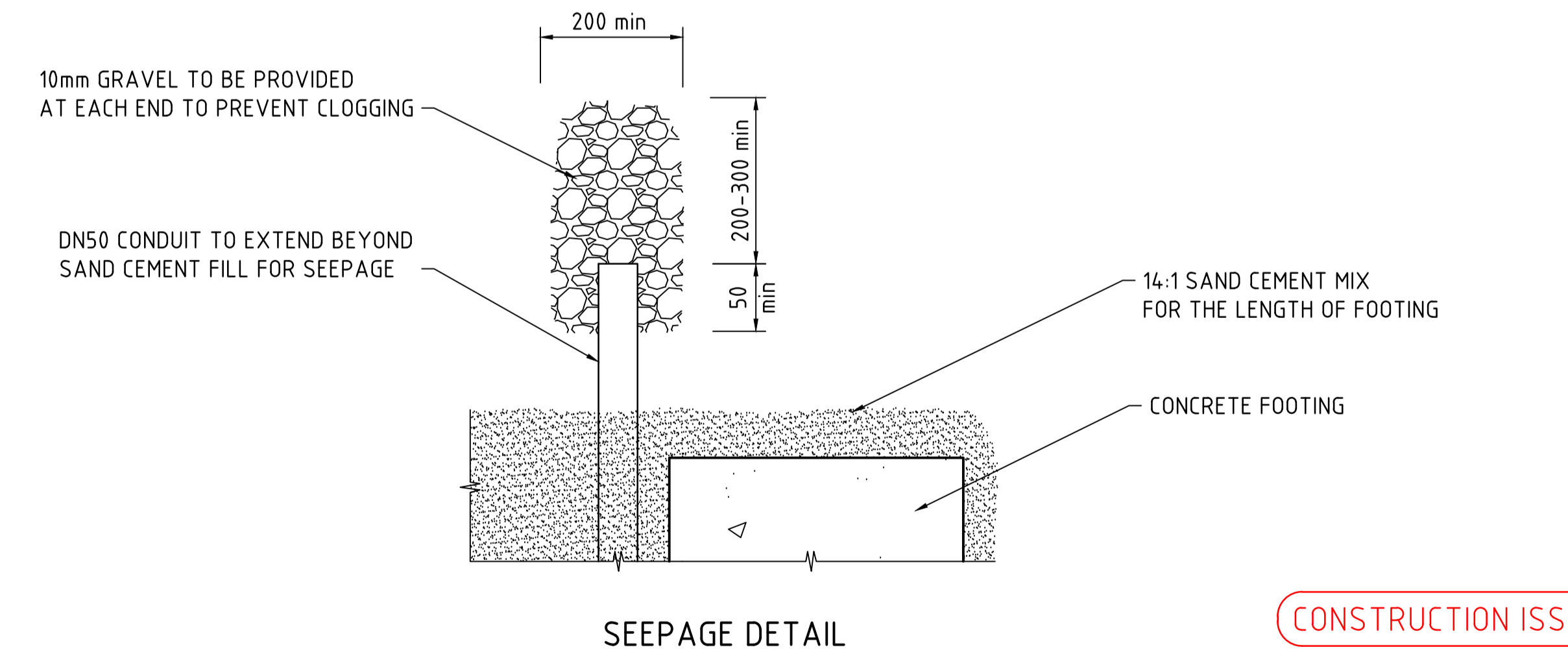


- NOTES:
- TOP OF PIT IS TO BE
    - FLUSH WITH F.S.L. IN PAVED AREAS (20mm MIN ABOVE N.S.L. WITH APPROPRIATE ADDITIONAL RAMPED FILL)
    - 50mm MIN ABOVE FSL WITHIN ROAD RESERVES IN RESIDENTIAL AREAS WITH APPROPRIATE BOLLARD PROTECTION.
    - 300mm MIN ABOVE FSL IN RURAL AREAS WITH APPROPRIATE BOLLARD PROTECTION.
  - TYPICAL 1200x1200 PRECAST STORM WATER RISER SECTIONS TO BE USE FOR ACCESS CHAMBERS.
  - ACCESS CHAMBER TO BE OFF-CENTERED AND POSITIONED 300mm FROM THE D.A.V. FOR IMPROVED ACCESS.
  - DOUBLE AIR VALVE (D.A.V.) AS SPECIFIED.
  - ALLUMINIUM CHECKPLATE LID TO HAVE 4x LIFTING HANDLES, ATTACHED CENTRAL SUPPORT BAR AND IS TO BE SECURED TO 4 BY 316 SS BRACKETS ON CORNERS AND 2x 316 SS LOCK LUGS (REFER PLAN 24066-002 FOR DETAILS) (IN TRAFFICABLE AREAS AN ALTERNATIVE LID DESIGN IS TO BE PRE-APPROVED BY SHOALHAVEN WATER)
  - ACCUMULATION CHAMBER IS TO BE USED ON ALL MAINS GREATER THAN DN250 (UNLESS PREVIOUSLY EXEMPTED BY SHOALHAVEN WATER DESIGN STAFF)
  - ACCUMULATION CHAMBER WIDTH & HEIGHT TO BE CLOSE AS PRACTICABLE TO HALF THE INTERNAL DIAMETER (ID) OF THE MAIN PIPE. IE; ACCUMULATION CHAMBER = 0.5 x MAIN PIPE INTERNAL DIAMETER = 0.5 x ID
  - HEIGHT OF PRECAST ACCESS CHAMBER IS TO BE GOVERNED BY THE:
    - DEPTH OF THE MAIN
    - SIZE OF ACCUMULATION CHAMBER
    - TOTAL HEIGHT OF TAPER, RISER, STOP VALVE AND APPROVED D.A.V.
    - MINIMUM CLEARANCE
    - MINIMUM HEIGHT ABOVE F.S.L.
  - BOLLARD PROTECTION IS TO BE INSTALLED, REFER TO TYPICAL BOLLARD PROTECTION ARRANGEMENT (DRG 24066-004)



- ABBREVIATIONS:
- |        |                               |
|--------|-------------------------------|
| ID     | INTERNAL DIAMETER             |
| 0.5xID | HALF OF THE INTERNAL DIAMETER |
| D.A.V. | DOUBLE AIR VALVE              |
| DN     | NOMINAL DIAMETER              |
| PE100  | HIGH DENSITY POLYETHYLENE     |
| PN     | PRESSURE RATING               |
| min    | MINIMUM                       |
| F.S.L. | FINISHED SURFACE LEVEL        |
| SS     | STAINLESS STEEL               |



**CONSTRUCTION ISSUE**

CONSULTANT DETAILS:				<p>A Group of Shoalhaven City Council</p>		DESIGNED:	DATE:	COMPANY:	TITLE:					
						L.L.	1-05-2015	S.W.	RECLAIMED WATER STANDARD DRAWING					
						DRAWN:	DATE:	COMPANY:	TYPICAL AIR VALVE PIT (NON TRAFFICABLE)					
						R.D.	1-05-2015	S.W.						
						CHECKED:	DATE:	COMPANY:	SIZE: SCALE: INDEX No. DRAWING No. SHEET REV No.					
						L.L.	2-06-2015	S.W.						
						APPROVED:	DATE:	COMPANY:						
						R.H.	24-06-2016	S.W.	A1 N.T.S.		10	24066	001	1
REVISION DETAILS														
No.			DWN	DATE										