

Safe Work Instruction - Use of the Tetha-T-Bar Roof Anchor

DO NOT use this plant* or complete this task unless you have been inducted in its safe use and operation by an Authorised Experienced Operator

This SWI may not cover all possible hazards and risks and should be referred to as a control measure in the risk assessment process. Additional training may be required for high risk plant. Site and task may change required PPE.

PERSONAL PROTECTIVE EQUIPMENT



Eye protection must be worn



Long and loose hair must be contained or covered.



High visibility clothing must be worn



Foot protection must be worn



Hand protection must be worn



Safety harness must be worn



Protective body clothing must be worn



Head protection must be worn

POTENTIAL HAZARDS AND RISKS

- Manual Task Injury**
Manual task injury from repetitive movements
- Other**
Injury due to fall from heights
- Cutting, Stabbing or Puncturing**
Injury from sharp edges or burrs
- Slip, Trips, Falls**
Slip, trip, fall due to steep working surfaces
Slip, trip, fall due to slippery working surfaces

PRE-OPERATIONAL SAFETY CHECKS

Note: TETHA-T-BAR is only to be used on metal roof sheeting with a minimum thickness of 0.42mm

- ✓ Ensure workers are trained in working at heights
- ✓ Refer to Working at Heights Procedure P13 and SWMS Working at Heights, complete Working at Heights Risk Assessment Checklist
- ✓ Minimum 2 workers present when using the roof anchor. Single person fall arrest tether plate only rated to 140 Kgs
- ✓ Complete site-specific risk assessment
- ✓ Ensure to assess weather conditions BEFORE accessing roof. Roofs must not be accessed during strong winds, thunderstorms or any other severe weather conditions
- ✓ Complete the appropriate pre-operational plant checklist if applicable
- ✓ Ensure you are familiar with plant operations and controls
- ✓ Ensure that guards are fitted, secured and functional in accordance with manufacturers guidelines

INSPECTION INSTRUCTIONS

TETHA T-BAR (Anchor) Inspection:

- ✓ Inspected for any defects due to wear or damage including cracks, burrs and corrosion
- ✓ Inspect securing eye for damage and locking bolt for ease of use

Roof Inspection:

- ✓ Inspect for signs of excessive rust, missing or loose roofing screws

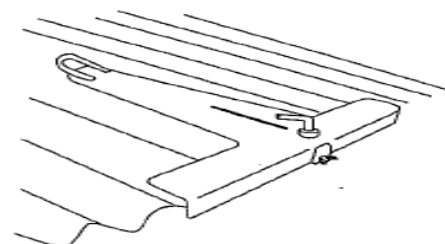
- ✓ Inspect for damaged/split sheets
 - ✓ Inspect if possible, purlins or roof structure for integrity
- Note: Roof sheeting used for anchoring the TETHA-T-BAR must be capable of sustaining a load equal to or greater than 15kn as per AS/NZS 1891.4.2009 for single point connections.**

INSTALLATION PROCEDURES

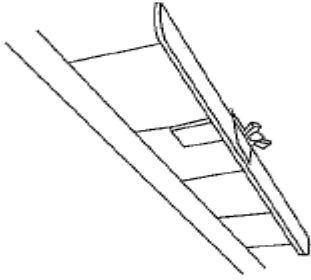
- ✓ The safety line length must be adjusted to ensure the user cannot fall off any roof edge
- ✓ The TETHA-T-BAR anchor must be installed by a competent person or the operator attaching to it. Inspect the area of attaching and anchor

Note: Users must be adequately trained and all care taken when adjusting the safety line length to prevent the user falling off any edge of the roof

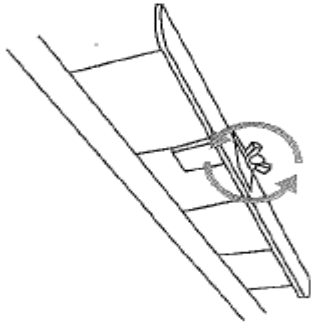
Sit anchor on top of corrugation roofing iron as shown



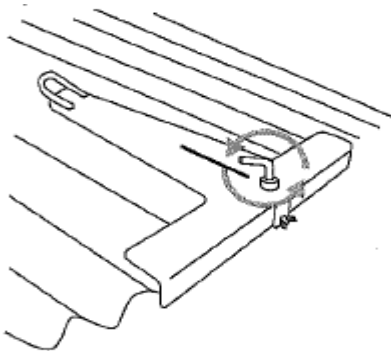
Ensure bottom tab is under top corrugation of roofing iron as shown



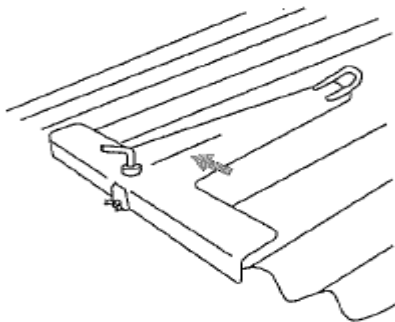
Tighten wing nut to secure bottom tab as shown



Next tighten the L-bolt onto the roofing iron to clamp anchor to roofing sheet as shown



Screw in a roof screw through the slotted section in front of the L-bolt as highlighted by the arrow below



- ✓ Ensure that no work is performed outside an arc of 30 degrees either side of the centre line to the anchor. This is to reduce the danger of swing fall hazards.
- ✓ Ensure all work is a minimum of 2 metres from any unprotected edge

ENDING OPERATIONS

- ✓ Reverse the process used for installation to remove the TETHA-T-BAR anchor
- ✓ Inspect all equipment and anchor for damage and wear prior to stowing away
- ✓ Store TETHA-T-BAR anchor in protected location

DO NOT

- ✗ Do not install on the ridge line capping of a roof
- ✗ Do not use if the roof overhang exceeds 60 mm
- ✗ Do not use if plant is faulty. Attach an Out of Service tag and report fault to your supervisor
- ✗ Do not commence task during strong winds, thunderstorms or other severe weather conditions
- ✗ Do not leave keys in machinery whilst unattended
- ✗ Do not wear loose jewellery
- ✗ Do not use mobile phone while operating plant

*Plant in this SWI refers to any machinery, equipment, appliance, container, implement and tool.