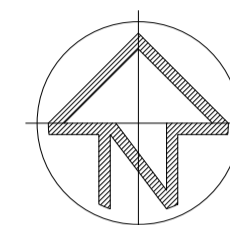


PROPOSED BOAT RAMP UPGRADE

WHARF ROAD, SHOALHAVEN HEADS NSW 2535
CONCEPT DESIGN



SYDNEY OFFICE
Level 1, 83 - 89 Renwick Street, Redfern 2016
Tel (02) 8396 6565

SOUTH COAST OFFICE
49 Berry Street, Nowra NSW 2541
Tel (02) 4423 0566

WOLLONGONG OFFICE
Suite 3, 128/134 Crown Street, Wollongong NSW 2500
Tel (02) 4423 0566

www.miengineers.com



LOCALITY PLAN
N.T.S.

DRAWING INDEX

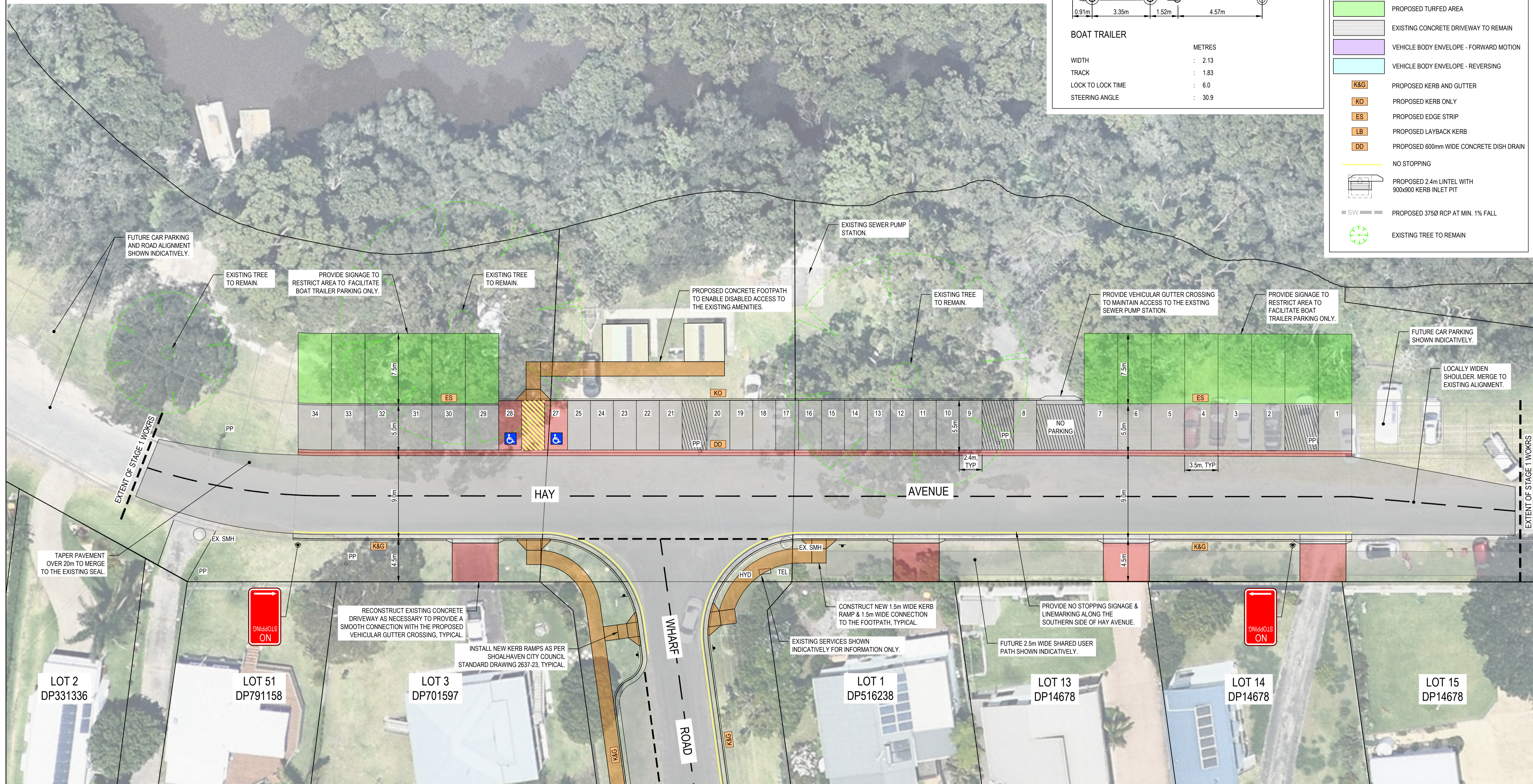
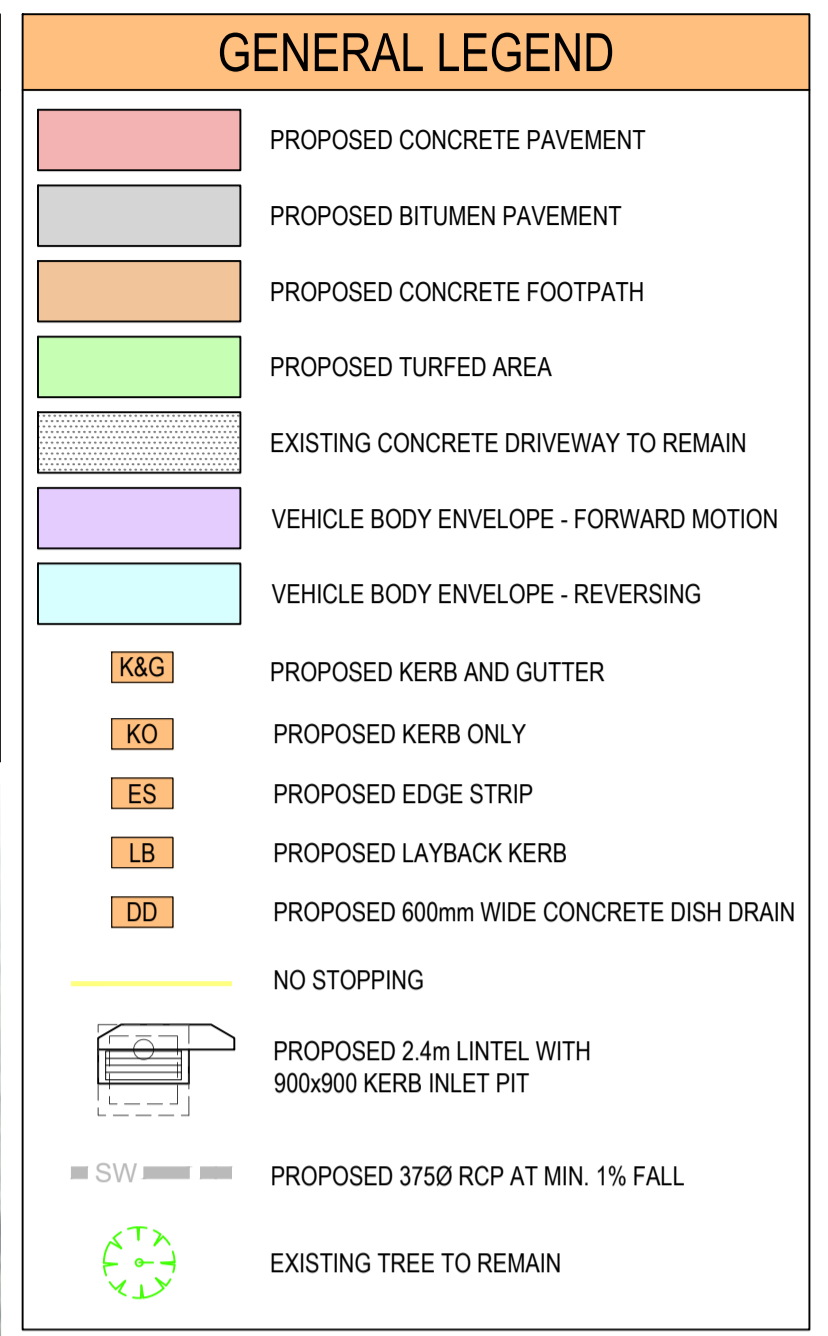
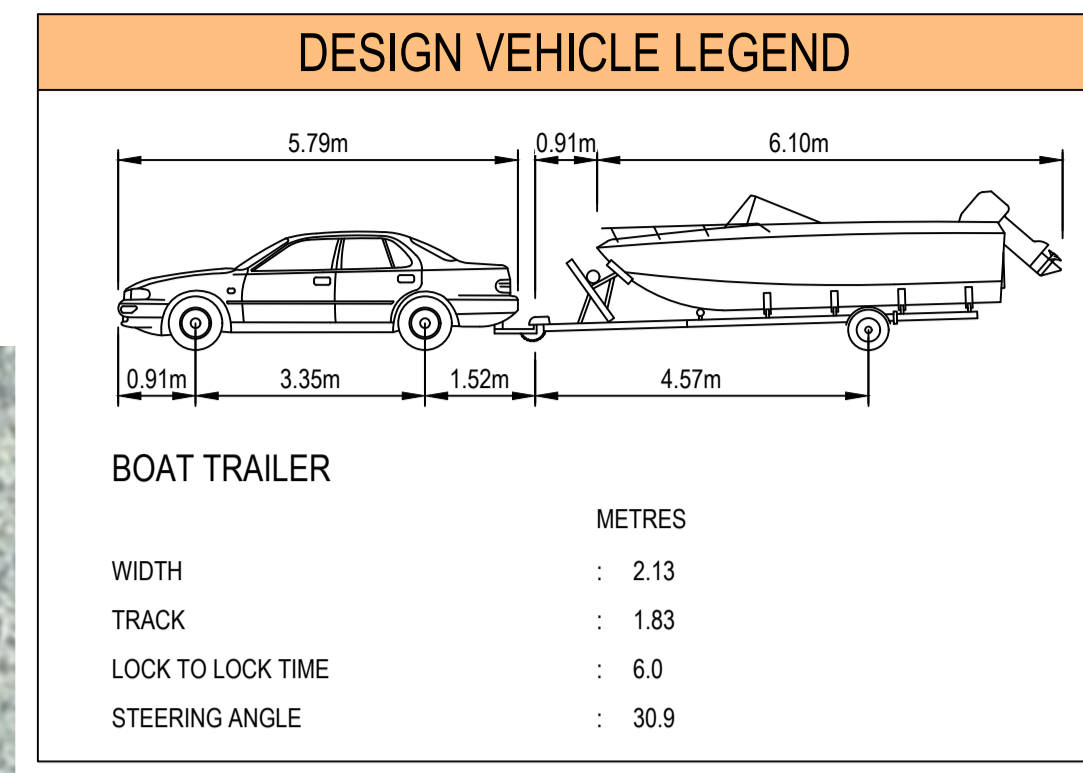
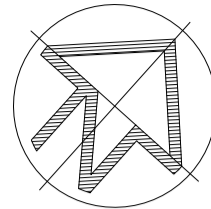
- DN220007 C001 COVER SHEET
- DN220007 C002 HAY AVENUE GENERAL ARRANGEMENT PLAN
- DN220007 C003 WHARF ROAD GENERAL ARRANGEMENT PLAN
- DN220007 C004 WHARF ROAD BOAT RAMP PLAN

APPROXIMATE AREA OF WORKS - - - - -

NOT FOR CONSTRUCTION



REVISION	AMENDMENTS	DATE	CKD	APP	SURVEYOR:	CLIENT:	MIENGINEERS	DISCLAIMER	PROJECT:	DESIGNED:	DRAWN:	SCALE:	SHEET SIZE:		
C	ISSUED FOR GRANT SUBMISSION	21.02.22	MW	MW	-			<p>THIS DRAWING AND THE CONCEPTS CONTAINED THEREIN ARE THE PROPERTY OF MI ENGINEERS. NO UNAUTHORISED COPYING IS PERMITTED. NOTHING IS TO BE CONSTRUCTED BASED ON THIS DRAWING, OR PART OF THIS DRAWING, WITHOUT THE WRITTEN PERMISSION OF MI ENGINEERS. DRAWINGS TO BE READ IN CONJUNCTION WITH OTHER RELATED DESIGN DOCUMENTATION. FURTHERMORE, WHERE MIENGINEERS RELIES ON THE INFORMATION SUPPLIED BY OTHERS TO PRODUCE THE DESIGNS, WE ACCEPT NO LIABILITY FOR ERRORS, TO THE EXTENT THAT THE DESIGN HAS MADE RELIANCE ON THIS INFORMATION. MUST BE READ IN COLOUR</p>	<p>PROPOSED BOAT RAMP UPGRADE WHARF ROAD, SHOALHAVEN HEADS NSW 2535 CONCEPT DESIGN</p>	MW	JM	-	A1		
B	ISSUED FOR DISCUSSION	08.02.22	MW	MW	DATE OF SURVEY:					SYDNEY OFFICE 83 - 89 Renwick Street, Redfern NSW 2016 Tel (02) 8396 6565	<p>MIENGINEERS.COM</p>	<p>PROJECT:</p>	DRAWING STATUS		DRAWING No.
A	ISSUED FOR DISCUSSION	04.02.22	MW	MW	ORIGIN:					SOUTH COAST OFFICE 49 Berry Street, Nowra NSW 2541 Tel (02) 4423 0566			PRELIMINARY	C001	
					HEIGHT OF DATUM:					WOLLONGONG OFFICE Suite 3a, 128-134 Crown Street, Wollongong NSW 2500 Tel (02) 4423 0566			DRAWING NAME:	REVISION:	
					HORIZONTAL DATUM:			COVER SHEET	PROJECT No.	DN220007					



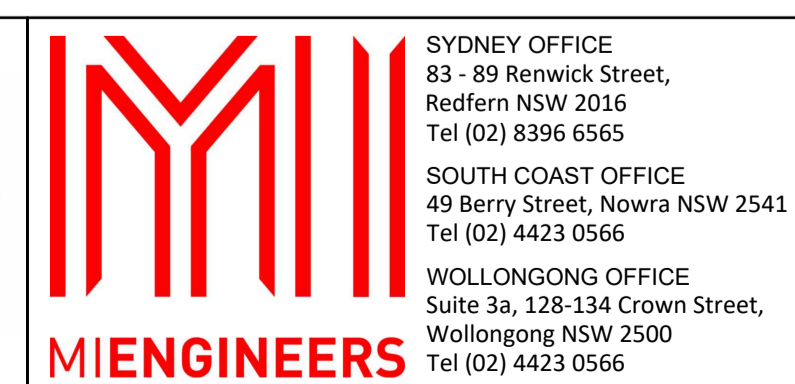
HAY AVENUE GENERAL ARRANGEMENT PLAN



NOT FOR CONSTRUCTION



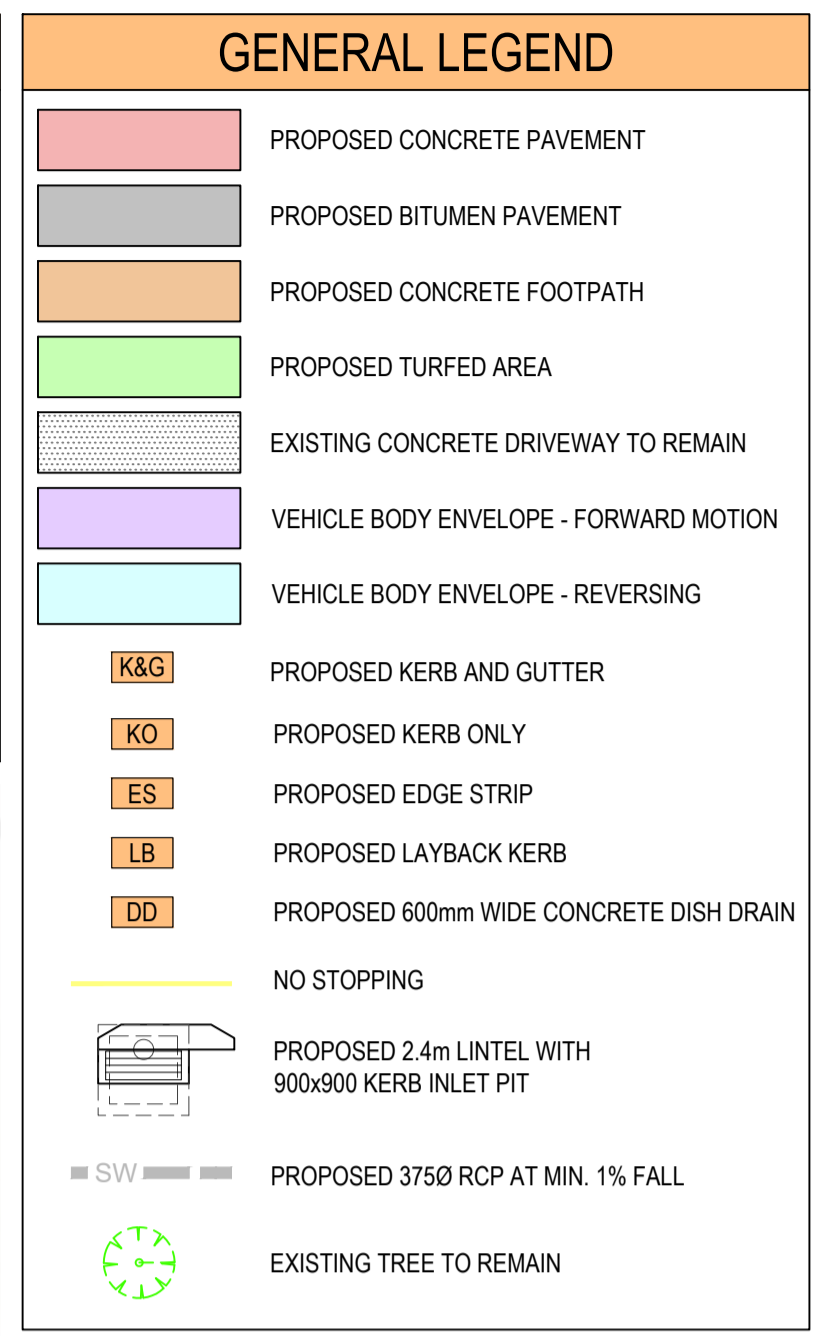
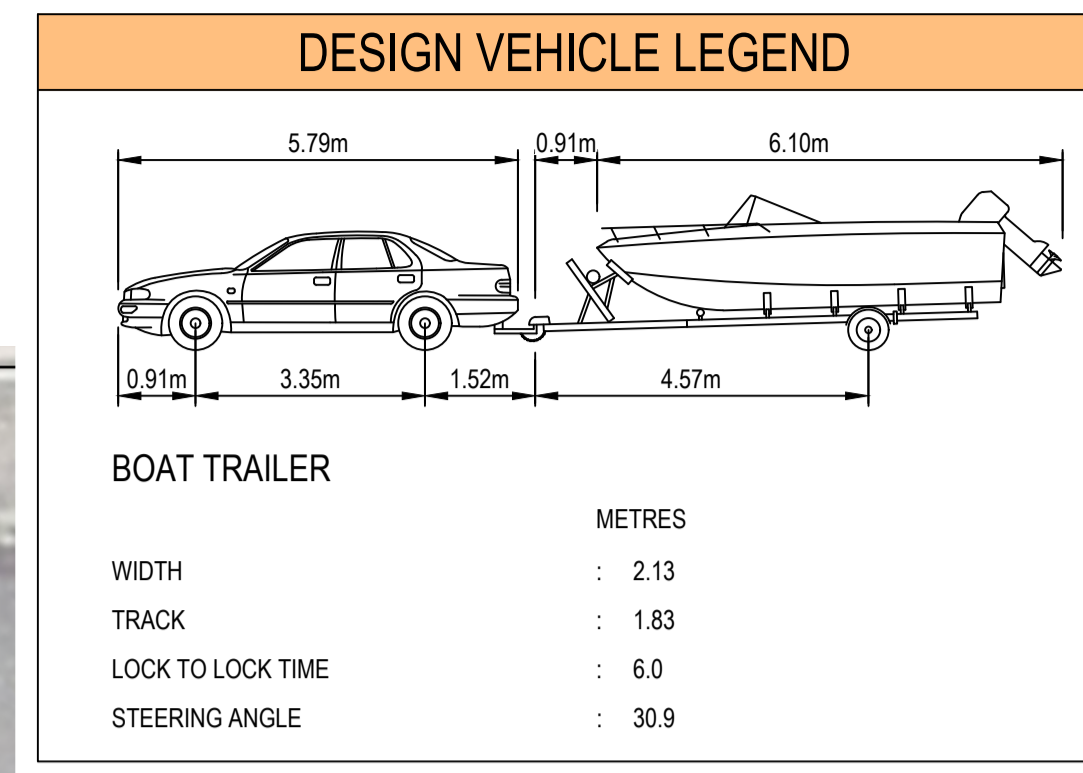
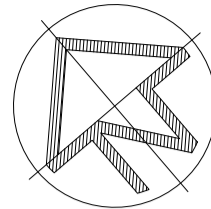
REVISION	AMENDMENTS	DATE	CKD	APP	SURVEYOR:	CLIENT:
C	ISSUED FOR GRANT SUBMISSION	21.02.22	MW	MW	-	Shoalhaven City Council
B	ISSUED FOR DISCUSSION	08.02.22	MW	MW	-	
A	ISSUED FOR DISCUSSION	04.02.22	MW	MW	-	
					DATE OF SURVEY:	
					ORIGIN:	
					HEIGHT OF DATUM:	
					HORIZONTAL DATUM:	



THIS DRAWING AND THE CONCEPTS CONTAINED THEREIN ARE THE PROPERTY OF MI ENGINEERS. NO UNAUTHORISED COPYING IS PERMITTED. NOTHING IS TO BE CONSTRUCTED BASED ON THIS DRAWING, OR PART OF THIS DRAWING, WITHOUT THE WRITTEN PERMISSION OF MI ENGINEERS. DRAWINGS TO BE READ IN CONJUNCTION WITH OTHER RELATED DESIGN DOCUMENTATION. FURTHERMORE, WHERE MIENGINEERS RELIES ON THE INFORMATION SUPPLIED BY OTHERS TO PRODUCE THE DESIGNS, WE ACCEPT NO LIABILITY FOR ERRORS, TO THE EXTENT THAT THE DESIGN HAS MADE RELIANCE ON THIS INFORMATION. MUST BE READ IN COLOUR.

PROJECT:	PROPOSED BOAT RAMP UPGRADE WHARF ROAD, SHOALHAVEN HEADS NSW 2535 CONCEPT DESIGN
DRAWING NAME:	HAY AVENUE GENERAL ARRANGEMENT PLAN

DESIGNED:	DRAWN:	SCALE:	SHEET SIZE:
MW	JM	1:150	A1
DRAWING STATUS:		DRAWING No.:	
PRELIMINARY		C002	
PROJECT No.:		REVISION:	
DN220007		C	



WHARF ROAD GENERAL ARRANGEMENT PLAN

SCALE 1:150

NOT FOR CONSTRUCTION



REVISION	AMENDMENTS	DATE	CKD	APP	SURVEYOR:	CLIENT:
C	ISSUED FOR GRANT SUBMISSION	21.02.22	MW	MW	-	Shoalhaven City Council
B	ISSUED FOR DISCUSSION	08.02.22	MW	MW	DATE OF SURVEY:	
A	ISSUED FOR DISCUSSION	04.02.22	MW	MW	ORIGIN:	
					HEIGHT OF DATUM:	
					HORIZONTAL DATUM:	



SYDNEY OFFICE
83 - 89 Renwick Street,
Redfern NSW 2016
Tel (02) 8396 6565

SOUTH COAST OFFICE
49 Berry Street, Nowra NSW 2541
Tel (02) 4423 0566

WOLLONGONG OFFICE
Suite 3a, 128-134 Crown Street,
Wollongong NSW 2500
Tel (02) 4423 0566

THIS DRAWING AND THE CONCEPTS CONTAINED THEREIN ARE THE PROPERTY OF MI ENGINEERS. NO UNAUTHORISED COPYING IS PERMITTED. NOTHING IS TO BE CONSTRUCTED BASED ON THIS DRAWING, OR PART OF THIS DRAWING, WITHOUT THE WRITTEN PERMISSION OF MI ENGINEERS. DRAWINGS TO BE READ IN CONJUNCTION WITH OTHER RELATED DESIGN DOCUMENTATION. FURTHERMORE, WHERE MIENGINEERS RELIES ON THE INFORMATION SUPPLIED BY OTHERS TO PRODUCE THE DESIGNS, WE ACCEPT NO LIABILITY FOR ERRORS, TO THE EXTENT THAT THE DESIGN HAS MADE RELIANCE ON THIS INFORMATION. MUST BE READ IN COLOUR.

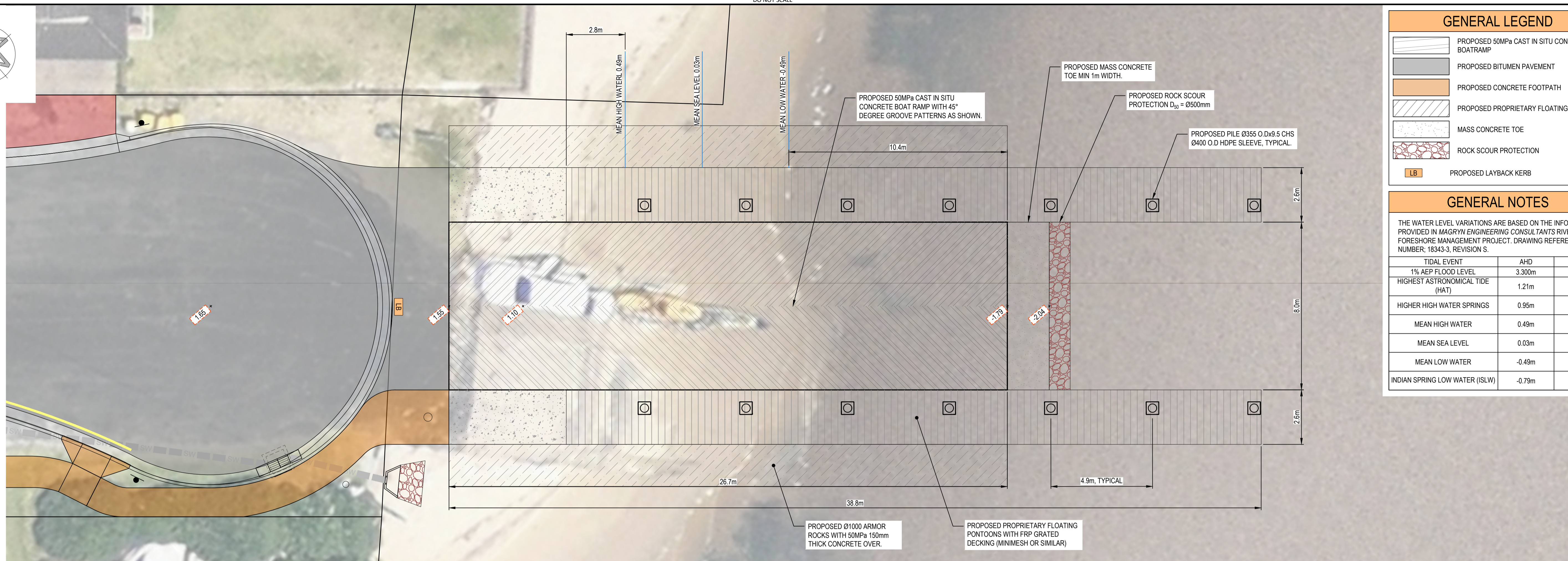
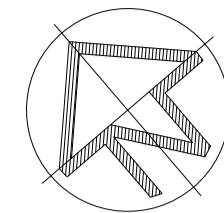
PROJECT:

PROPOSED BOAT RAMP UPGRADE
WHARF ROAD, SHOALHAVEN HEADS NSW 2535
CONCEPT DESIGN

DRAWING NAME:
WHARF ROAD GENERAL ARRANGEMENT PLAN

DESIGNED:	DRAWN:	SCALE:	SHEET SIZE:
MW	JM	1:100	A1
DRAWING STATUS		DRAWING No.	
PRELIMINARY		C003	
PROJECT No.		REVISION:	
DN220007		C	

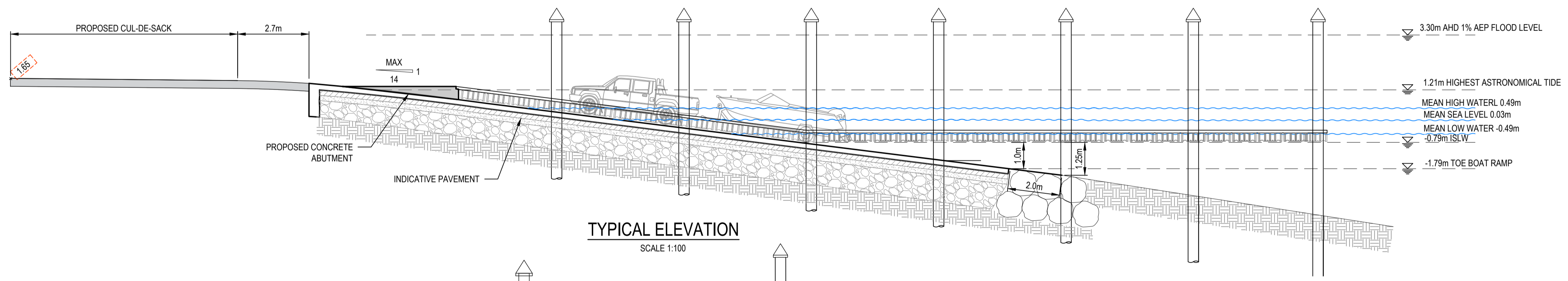
DO NOT SCALE



GENERAL LEGEND	
	PROPOSED 50MPa CAST IN SITU CONCRETE BOATRAMP
	PROPOSED BITUMEN PAVEMENT
	PROPOSED CONCRETE FOOTPATH
	PROPOSED PROPRIETARY FLOATING PONTOONS
	MASS CONCRETE TOE
	ROCK SCOUR PROTECTION
	PROPOSED LAYBACK KERB

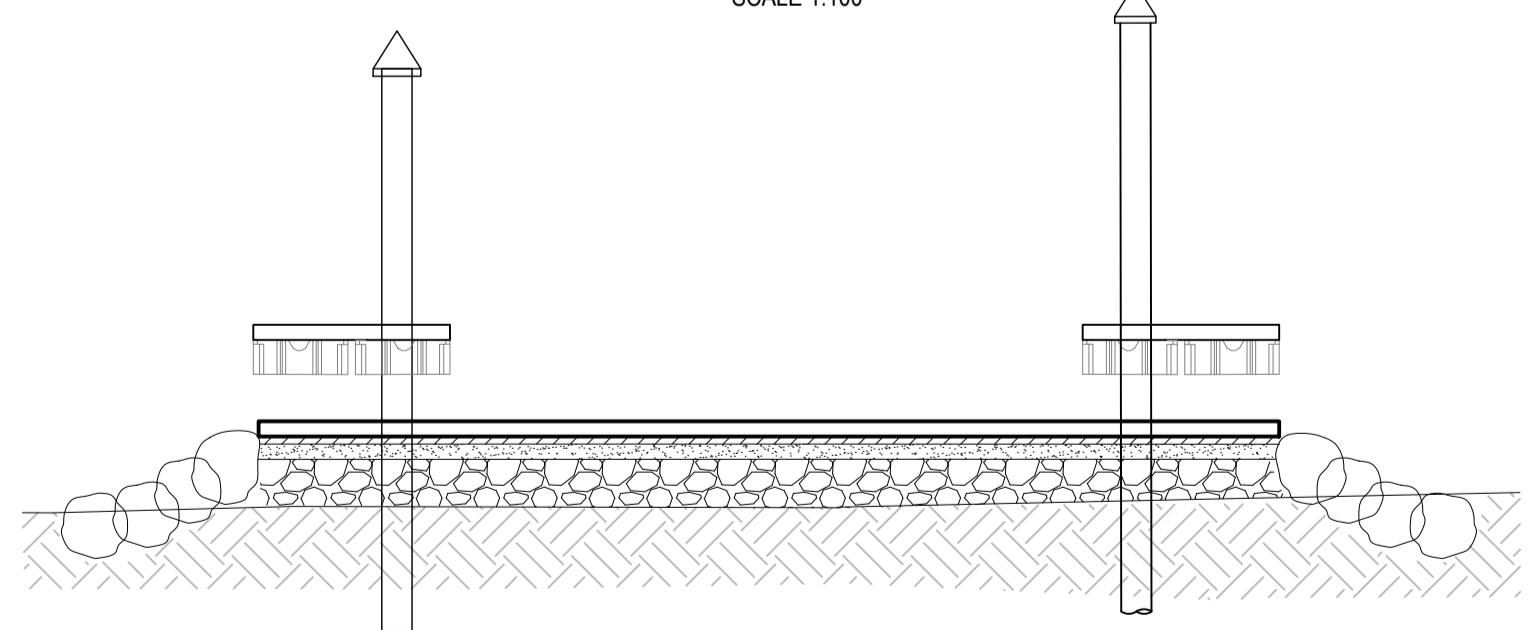
GENERAL NOTES		
THE WATER LEVEL VARIATIONS ARE BASED ON THE INFORMATION PROVIDED IN MAGRYN ENGINEERING CONSULTANTS RIVED ROAD FORESHORE MANAGEMENT PROJECT. DRAWING REFERENCE NUMBER: 18343-3, REVISION S.		
TIDAL EVENT	AHD	ISLW
1% AEP FLOOD LEVEL	3.300m	-
HIGHEST ASTRONOMICAL TIDE (HAT)	1.21m	2.000m
HIGHER HIGH WATER SPRINGS	0.95m	1.74m
MEAN HIGH WATER	0.49m	1.28m
MEAN SEA LEVEL	0.03m	0.82m
MEAN LOW WATER	-0.49m	0.30m
INDIAN SPRING LOW WATER (ISLW)	-0.79m	0.00m

WHARF ROAD BOAT RAMP PLAN



TYPICAL ELEVATION

SCALE 1:100



TYPICAL SECTION

SCALE 1:100

NOT FOR CONSTRUCTION



REVISION	AMENDMENTS	DATE	CKD	APP	SURVEYOR:
C	ISSUED FOR GRANT SUBMISSION	21.02.22	MW	MW	-
B	ISSUED FOR DISCUSSION	08.02.22	MW	MW	-
A	ISSUED FOR DISCUSSION	04.02.22	MW	MW	-
					DATE OF SURVEY:
					ORIGIN:
					HEIGHT OF DATUM:
					HORIZONTAL DATUM:



MIENGINEERS

SYDNEY OFFICE
83 - 89 Renwick Street,
Redfern NSW 2016
Tel (02) 8396 6565

SOUTH COAST OFFICE
49 Berry Street, Nowra NSW 2541
Tel (02) 4423 0566

WOLLONGONG OFFICE
Suite 3a, 128-134 Crown Street,
Wollongong NSW 2500
Tel (02) 4423 0566

THIS DRAWING AND THE CONCEPTS CONTAINED THEREIN ARE THE PROPERTY OF MI ENGINEERS. NO UNAUTHORISED COPYING IS PERMITTED. NOTHING IS TO BE CONSTRUCTED BASED ON THIS DRAWING, OR PART OF THIS DRAWING, WITHOUT THE WRITTEN PERMISSION OF MI ENGINEERS. DRAWINGS TO BE READ IN CONJUNCTION WITH OTHER RELATED DESIGN DOCUMENTATION. FURTHERMORE, WHERE MIENGINEERS RELIES ON THE INFORMATION SUPPLIED BY OTHERS TO PRODUCE THE DESIGNS, WE ACCEPT NO LIABILITY FOR ERRORS, TO THE EXTENT THAT THE DESIGN HAS MADE RELIANCE ON THIS INFORMATION. MUST BE READ IN COLOUR.

PROJECT:	DESIGNED:	DRAWN:	SCALE:	SHEET SIZE:
PROPOSED BOAT RAMP UPGRADE WHARF ROAD, SHOALHAVEN HEADS NSW 2535 CONCEPT DESIGN	MW	JM	1:200	A1
DRAWING NAME:	DRAWING STATUS:	DRAWING No.:		
WHARF ROAD BOAT RAMP PLAN	PRELIMINARY	C004		
	PROJECT No.:	REVISION:		
	DN220007	C		