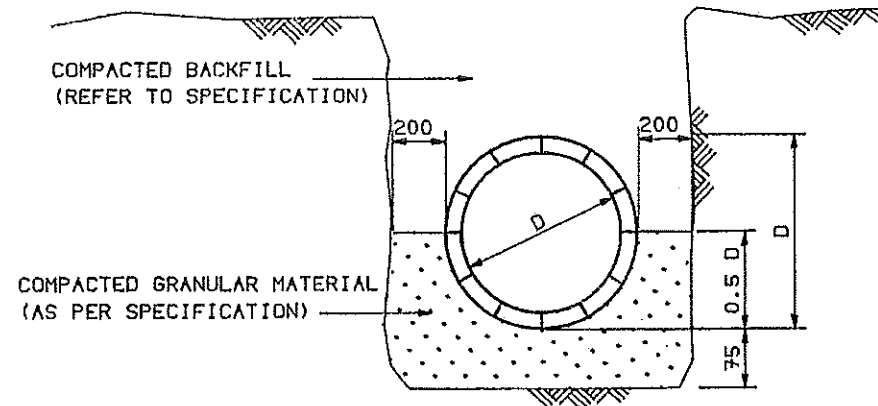
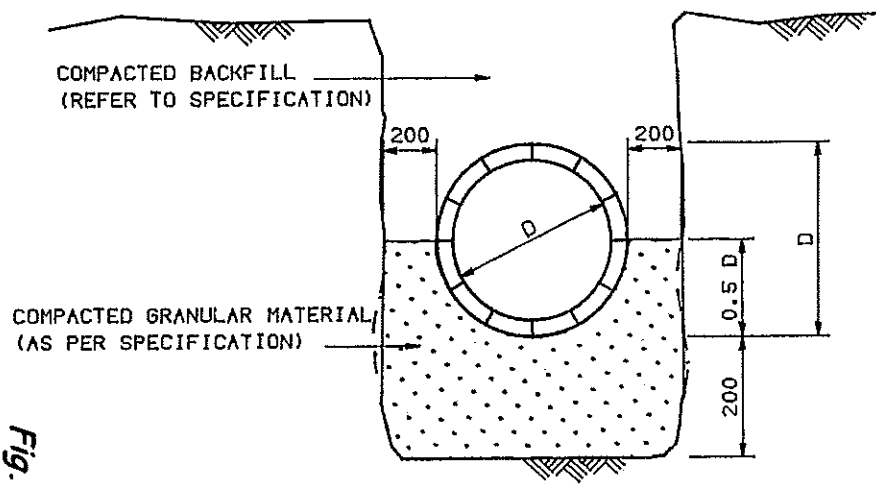


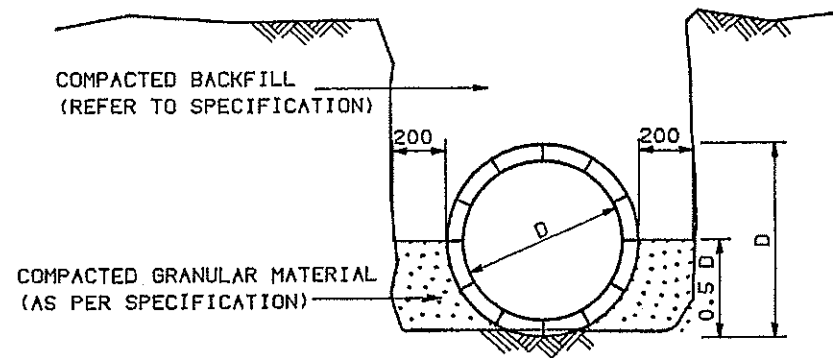
**ROCK & EARTH FOUNDATION  
PIPE BEDDING  
TYPE A**



**EARTH FOUNDATION  
PIPE BEDDING  
TYPE B (EARTH)**



**SHALE & EARTH FOUNDATION  
PIPE BEDDING  
TYPE D**



**SAND FOUNDATION  
PIPE BEDDING  
TYPE C**

**NOTE**  
THE ABOVE REQUIREMENTS COULD BE VARIED BASED ON THE MANUFACTURER'S RECOMMENDATIONS AND WITH THE PRIOR APPROVAL OF THE MANAGER.

Fig. D5.Misc.16



**SUBDIVISION  
CODE**

**CITY OF SHOALHAVEN  
PIPE BEDDING**

**ENGINEERING WORKS  
MANAGER**

DRAWN	C. FIESELER
CHECKED	J. BLOM
PLAN REF.	263731
DATE	10. MAY 1994