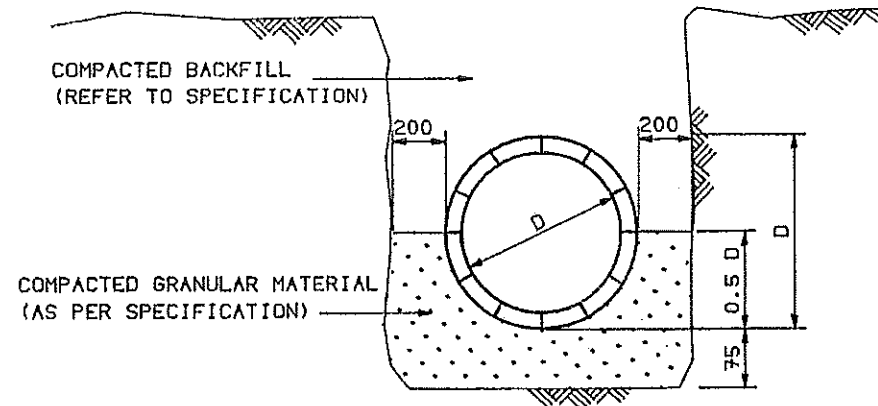
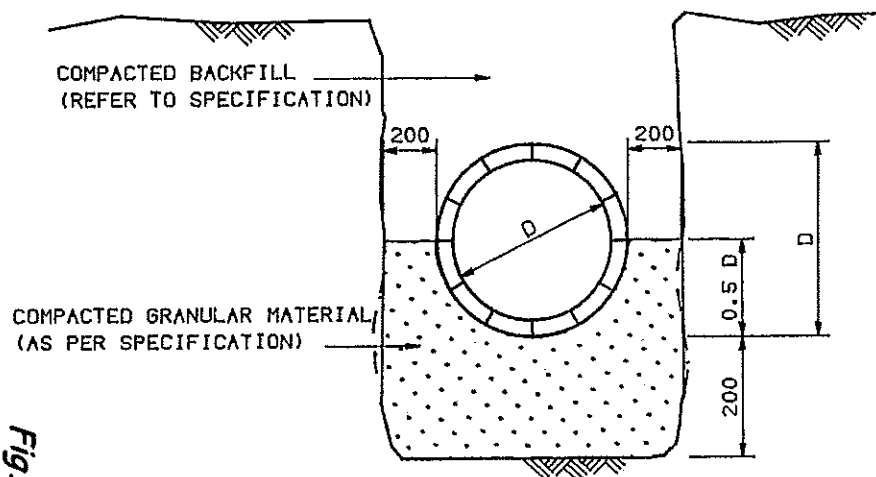


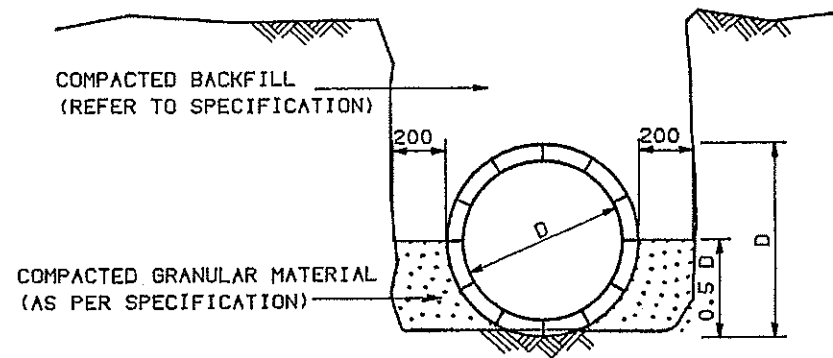
**ROCK & EARTH FOUNDATION
PIPE BEDDING
TYPE A**



**EARTH FOUNDATION
PIPE BEDDING
TYPE B (EARTH)**



**SHALE & EARTH FOUNDATION
PIPE BEDDING
TYPE D**



**SAND FOUNDATION
PIPE BEDDING
TYPE C**

NOTE
THE ABOVE REQUIREMENTS COULD BE VARIED BASED ON THE MANUFACTURER'S RECOMMENDATIONS AND WITH THE PRIOR APPROVAL OF THE MANAGER.

Fig. D5.Misc.16



SUBDIVISION
CODE

CITY OF SHOALHAVEN
PIPE BEDDING

ENGINEERING WORKS
MANAGER

DRAWN	C. FIESELER
CHECKED	J. BLOM
PLAN REF.	263731
DATE	10. MAY 1994