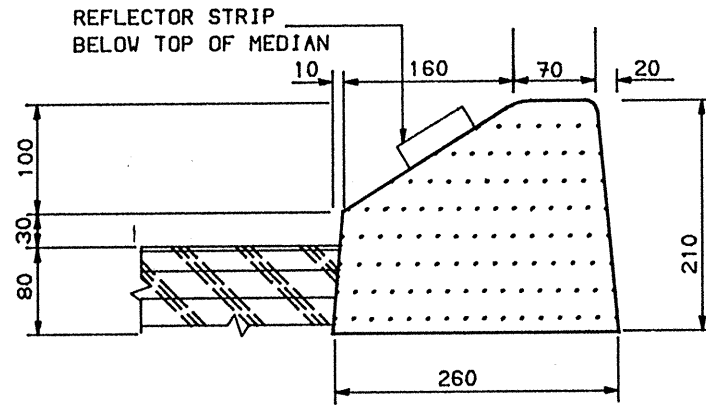
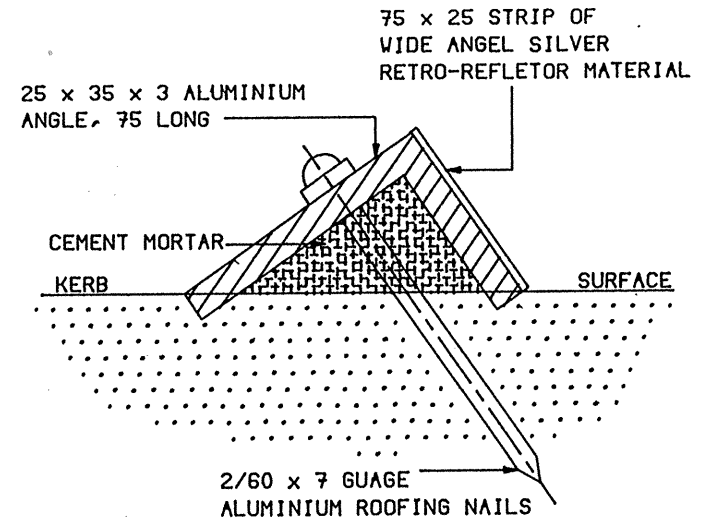


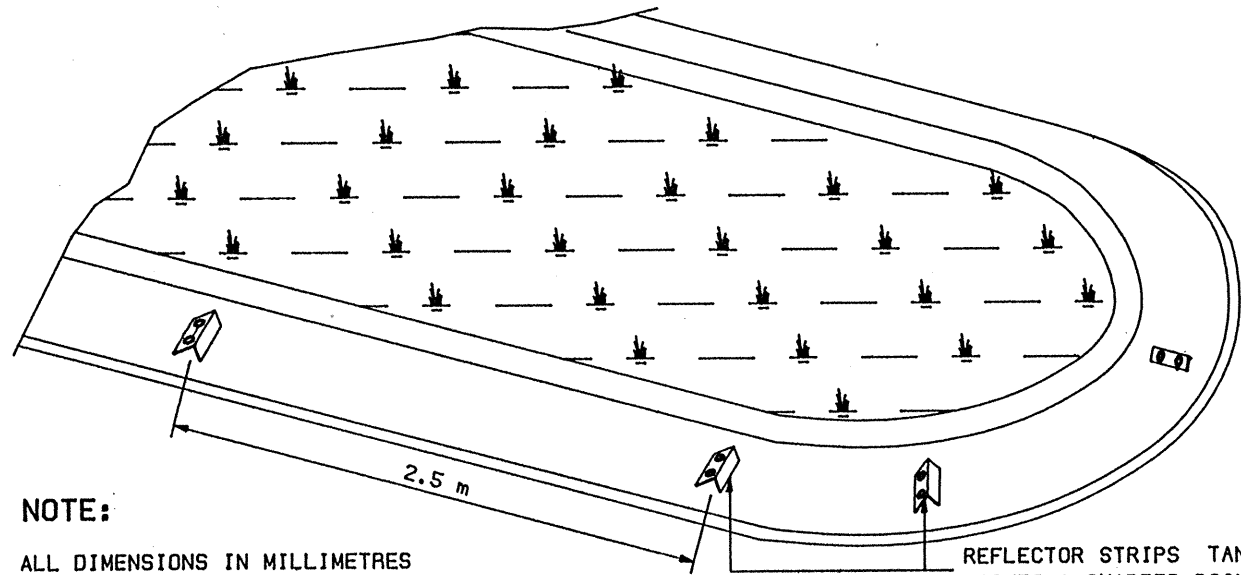
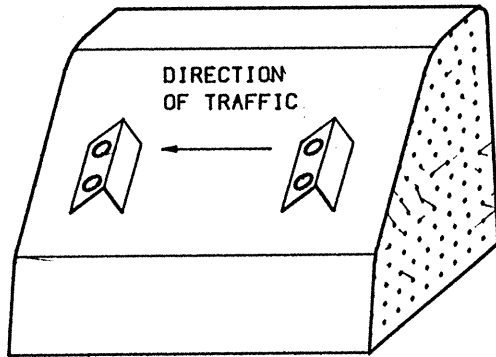
ELEVATION



SECTION A-A



DETAIL OF STRIP



NOTE:

ALL DIMENSIONS IN MILLIMETRES
UNLESS OTHERWISE SPECIFIED

SPACING OF REFLECTOR STRIPS



SCALE 1: N.T.S.

**SUBDIVISION
CODE**

**CITY OF SHOALHAVEN
MOUNTABLE KERB
WITH REFLECTOR STRIPS**

**ENGINEERING WORKS
MANAGER**

DRAWN	C. FIESELER
CHECKED	J. BLOM
PLAN REF.	263712
DATE	05. MAY 1984