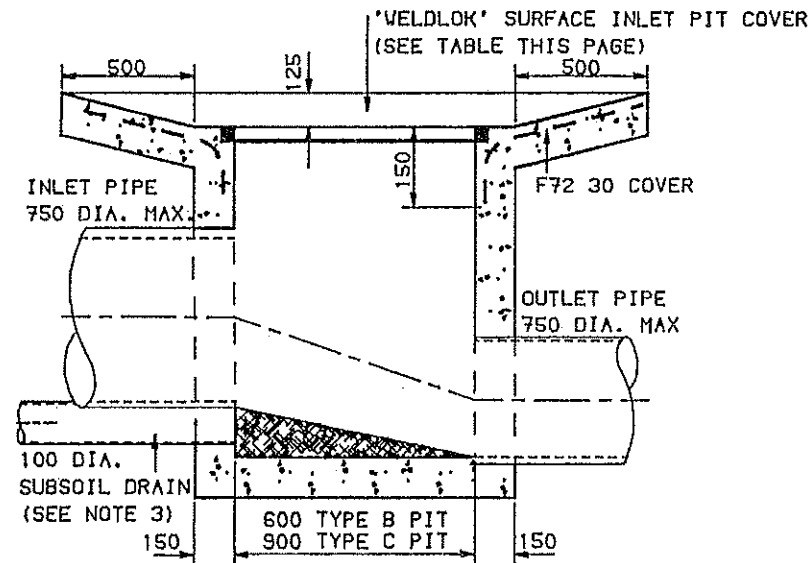
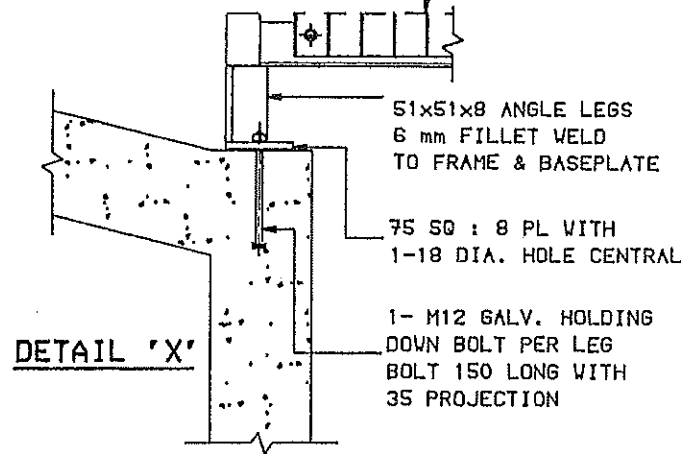


SECTION A-A
SURCHARGE PIT TYPE A



SECTION B-B
SURCHARGE PIT TYPES B & C

FRAME GRATE & LEGS TO BE HOT DIP GALVANISED AFTER FABRICATION.



DETAIL 'X'

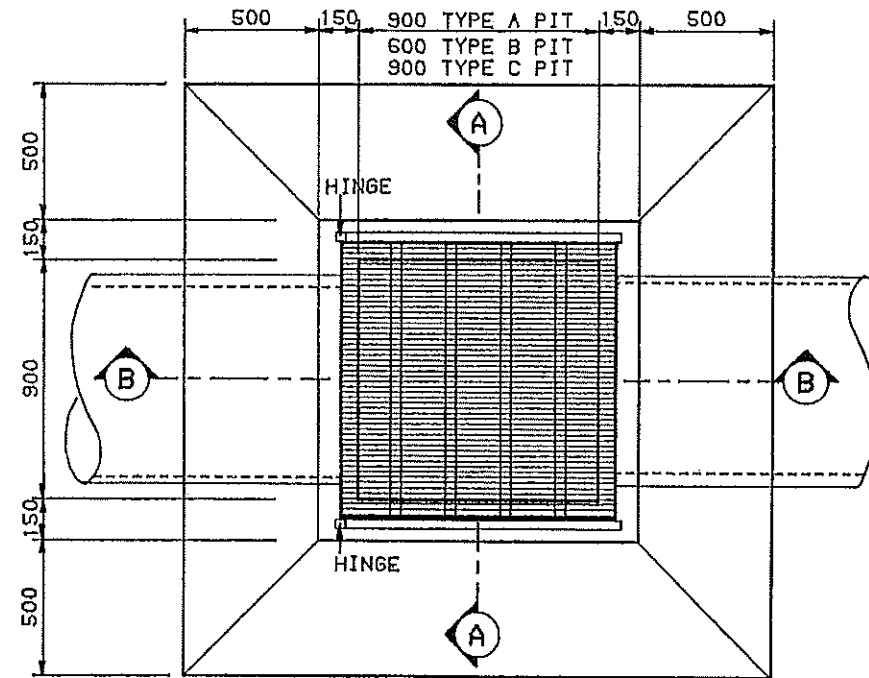
SURCHARGE PIT SIZES TABLE

PIT	OPENING SIZE	GRATE TYPE
TYPE A	900 x 900	PC 9090 B *
TYPE B	600 x 900	PC 9090 A
TYPE C	900 x 900	PC 9090 B

* GRATE FITTED WITH LEGS (DETAIL 'X')

NOTES:

1. COMPRESSIVE STRENGTH OF CONCRETE F_c AT 28 DAYS TO BE 20 MPa
2. TOP OF BENCHING TO BE 1/2 OF OUTLET PIPE DIA.
3. 100 DIA. SUBSOIL DRAINAGE PIPE 3000 LONG WRAPPED IN FABRIC SOCK TO BE PROVIDED IN PIPE TRENCHES ADJACENT TO INLET PIPES.
4. PROVIDE CLIMB IRONS WHERE PIT IS DEEPER THAN 1200.
5. FOURTY EIGHT (48) HOURS NOTICE IS TO BE GIVEN PRIOR TO THE PLACING OF CONCRETE TO ALLOW FOR INSPECTION BY COUNCIL'S OFFICER.



PLAN SURCHARGE PITS TYPE A, B, & C

Fig. D5.Misc.7



SCALE 1: N.T.S.

SUBDIVISION
CODE

CITY OF SHOALHAVEN
STANDARD
SURCHARGE PITS

ENGINEERING WORKS
MANAGER

DRAWN C. FIESELER

CHECKED J. BLOM

PLAN REF. 26 3707

DATE 05 MAY 1994