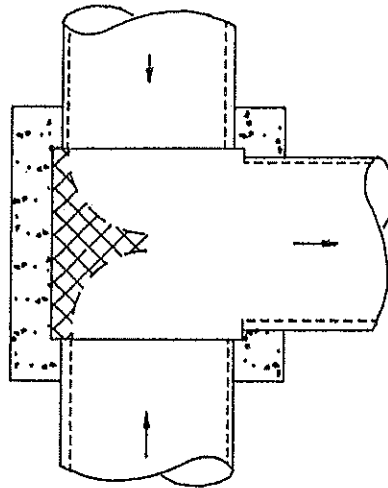
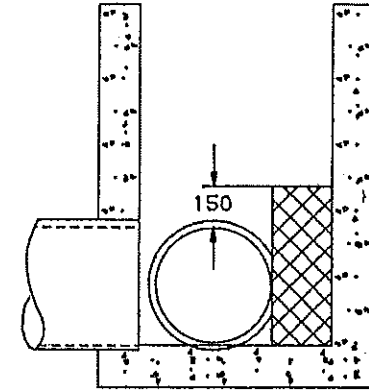


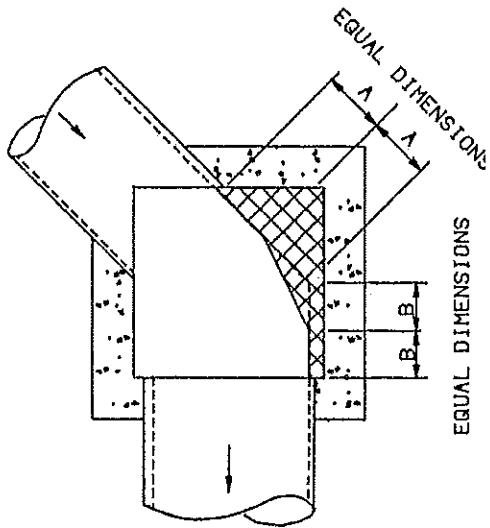
TYPE A



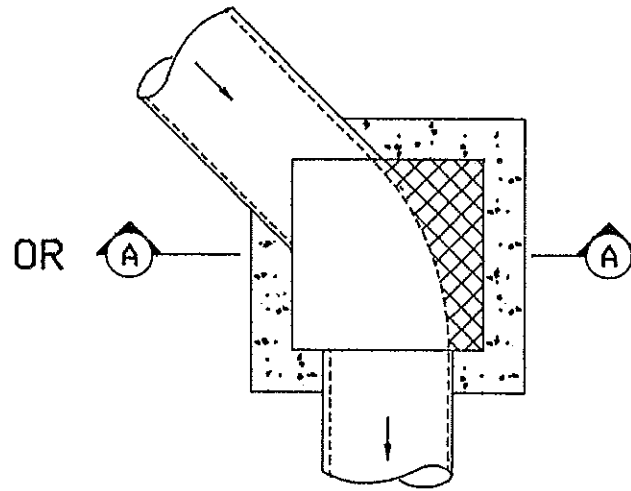
TYPE B



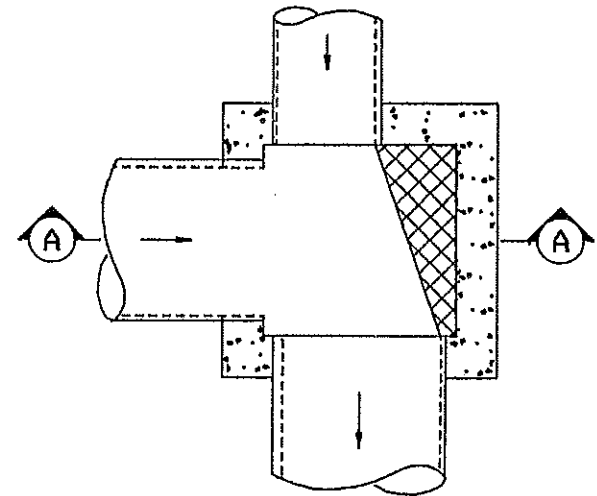
SECTION A-A  
(TYPICAL)



TYPE C



TYPE D



TYPE E

Fig. D5. Misc. 4



SCALE 1: N.T.S.

SUBDIVISION  
CODE

CITY OF SHOALHAVEN  
FLOW DEFLECTORS  
IN PITS

ENGINEERING WORKS  
MANAGER

DRAWN	C. FIESELER
CHECKED	J. BLOM
PLAN REF.	263704
DATE	05. MAY 1984