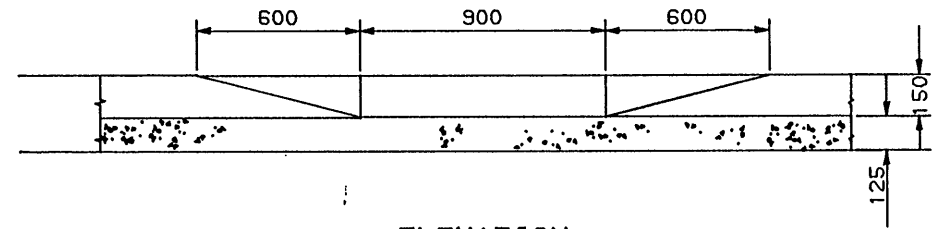
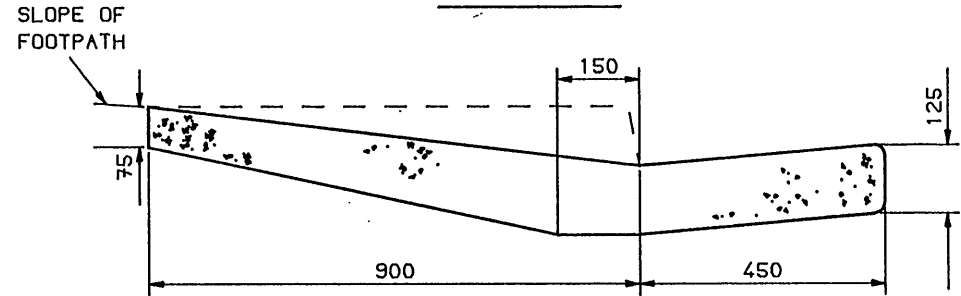


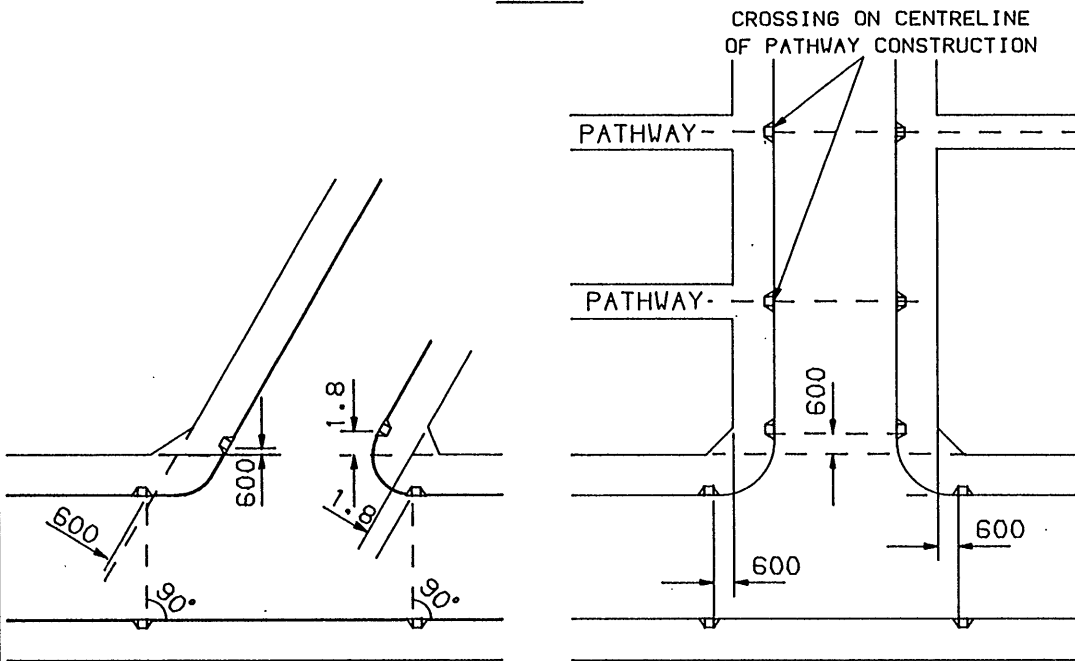
PLAN



ELEVATION



CROSS SECTION



PLAN SHOWING KERB RAMP CROSSING

(NOT TO SCALE)

NOTES

1. KERB RAMPS SHALL BE CONSTRUCTED AT ALL ROAD INTERSECTIONS AND IN FRONT OF PATHWAY. THE RAMPS SHALL BE LOCATED IN THE POSITIONS SHOWN ON THIS DRAWING, EXCEPT THAT WHERE DRAINAGE PITS OR OTHER STRUCTURES NECESSITATE A DEPARTURE FROM THE NORMAL POSITION AN ALTERNATIVE POSITION SHALL BE INDICATED BY COUNCIL. WHERE THE POSITION OF A RAMP FALLS WITHIN 3.6 m OF A VEHICULAR CROSSING THE KERB RAMP SHALL BE OMITTED. WHERE THE SPECIFIED CONSTRUCTION OF THE ROAD KERB HEIGHT VARIES FROM THE 150 mm DIMENSION SHOWN ON THIS DRAWING THE DEPTH OF THE KERB RAMP INTO THE FOOTPATH SHALL BE ADJUSTED FROM THE 900 mm MINIMUM TO A MINIMUM DEPTH OF SIX (6) TIMES THE SPECIFIED KERB HEIGHT.
2. ROAD BASECOURSE TO BE EXTENDED BENEATH KERB RAMPS. MINIMUM THICKNESS OF 50 mm TO BE MAINTAINED.
3. CONCRETE TO BE OF 20 MPa COMPRESSIVE STRENGTH AT 28 DAYS.
4. DIMENSIONS ARE IN MILLIMETRES UNLESS OTHERWISE SHOWN.
5. FORTY-EIGHT (48) HOURS NOTICE IS TO BE GIVEN PRIOR TO THE PLACING OF CONCRETE TO ALLOW FOR INSPECTION BY COUNCIL'S OFFICER.
6. THIS PLAN SUPERSEDES G202606.



SCALE 1: N.T.S.

**SUBDIVISION
CODE**

GDS FILE | PLAN.SUBDIV

**CITY OF SHOALHAVEN
STANDARD
KERB RAMPS**

**ENGINEERING WORKS
MANAGER**

DRAWN	C. FIESELER
CHECKED	J. BLOM
PLAN REF.	(SC)263723
DATE	04. MAY 1994