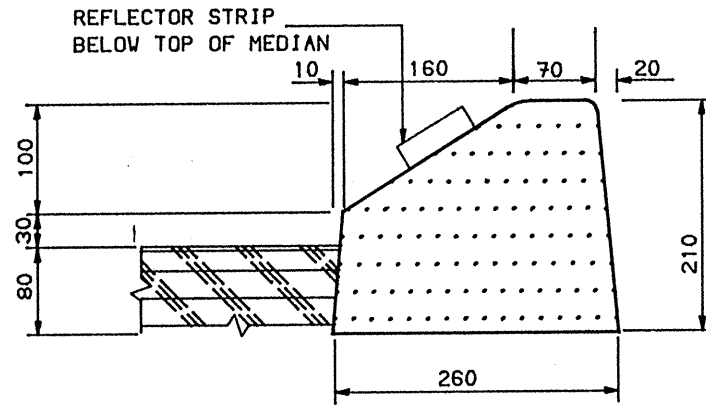
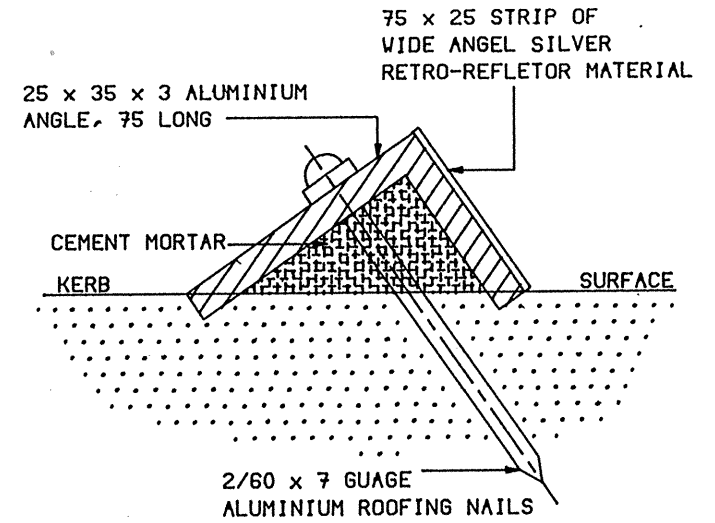


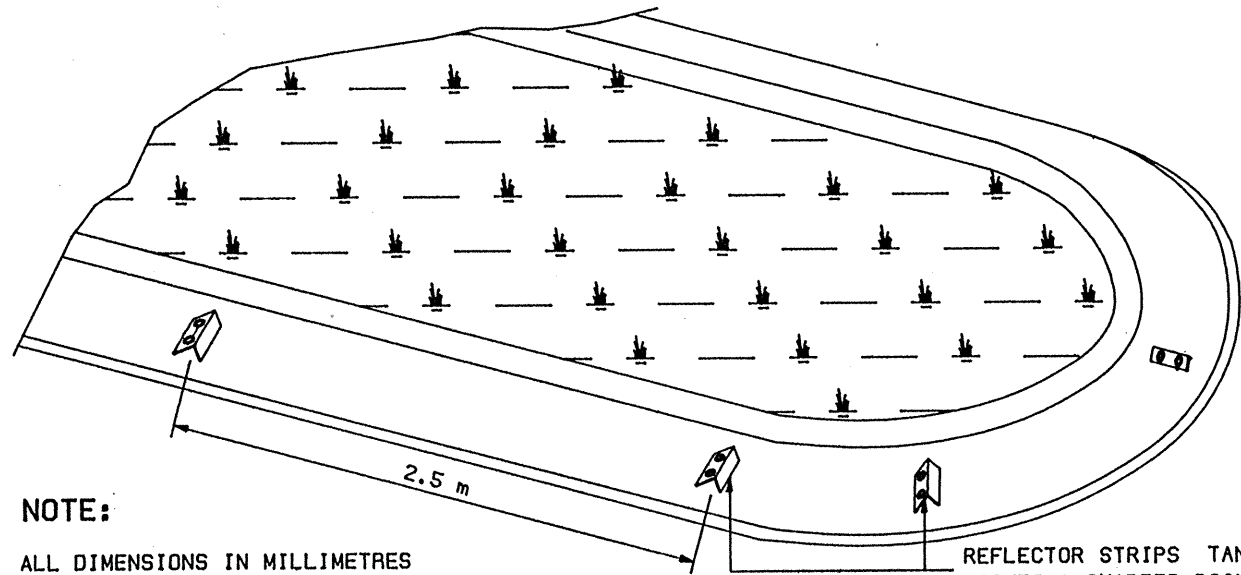
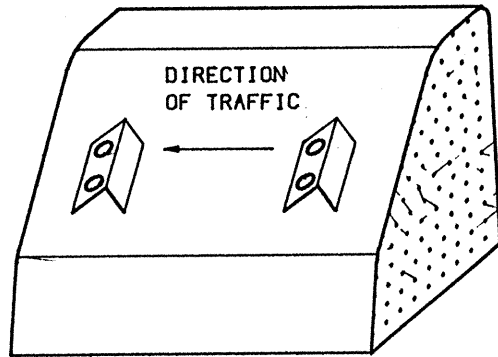
ELEVATION



SECTION A-A



DETAIL OF STRIP



NOTE:

ALL DIMENSIONS IN MILLIMETRES
UNLESS OTHERWISE SPECIFIED

SPACING OF REFLECTOR STRIPS



SCALE 1: N.T.S.

SUBDIVISION
CODE

CITY OF SHOALHAVEN
MOUNTABLE KERB
WITH REFLECTOR STRIPS

ENGINEERING WORKS
MANAGER

DRAWN	C. FIESELER
CHECKED	J. BLOM
PLAN REF.	263712
DATE	05. MAY 1984