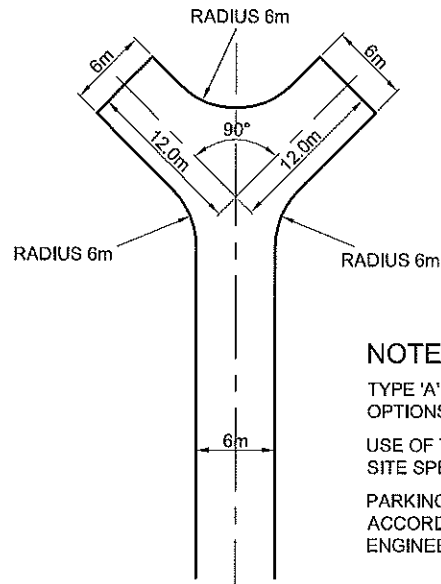
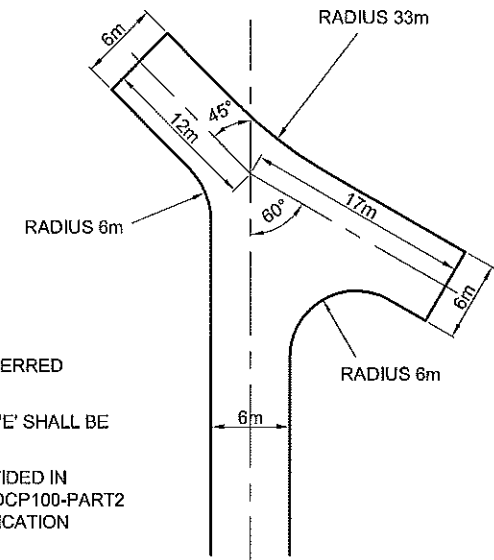


TYPE 'A'



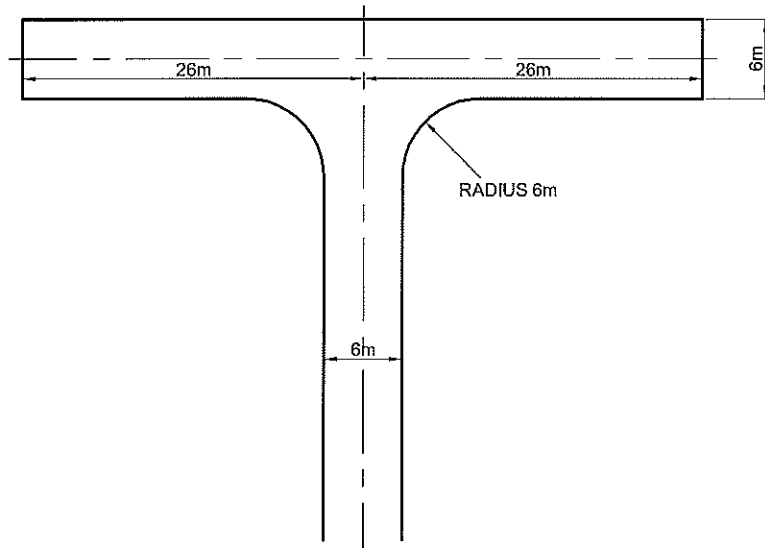
TYPE 'B'



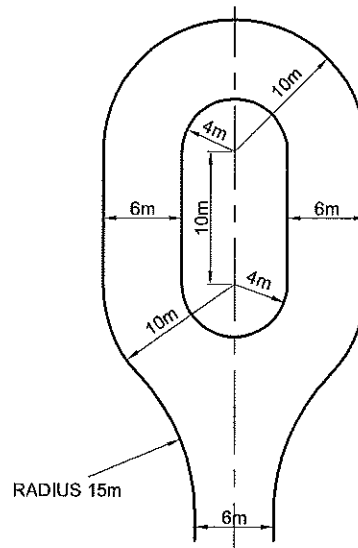
TYPE 'C'

NOTES

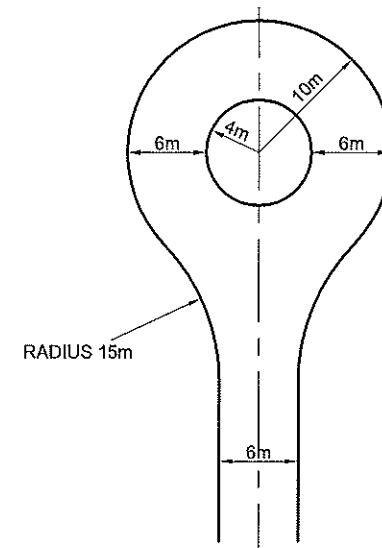
TYPE 'A' AND 'F' ARE THE PREFERRED OPTIONS.
 USE OF TYPES 'B', 'C', 'D' AND 'E' SHALL BE SITE SPECIFIC.
 PARKING BAYS MUST BE PROVIDED IN ACCORDANCE WITH FIG.6 OF DCP100-PART2 ENGINEERING DESIGN SPECIFICATION



TYPE 'D'



TYPE 'E'



TYPE 'F'

DESIGNED:	SURVEYED:
DRAWN: P. JENKINS	21/07
CHECKED: J. BRITTON	FIELD BOOK:
DRAWING FILE: 2637_37.DWG	LEVEL BOOK:
CIVILCAD FILE:	ORIGIN OF LEVELS:
	DATUM:



CITY OF SHOALHAVEN

SUBDIVISION CODE
 CARRIAGE TURNING HEAD GEOMETRY FOR ACCESSWAYS

REDUCTION RATIO
 Not to scale

DIRECTOR CITY SERVICES & OPERATIONS: DATE:
PLAN REFERENCE - 2637.37