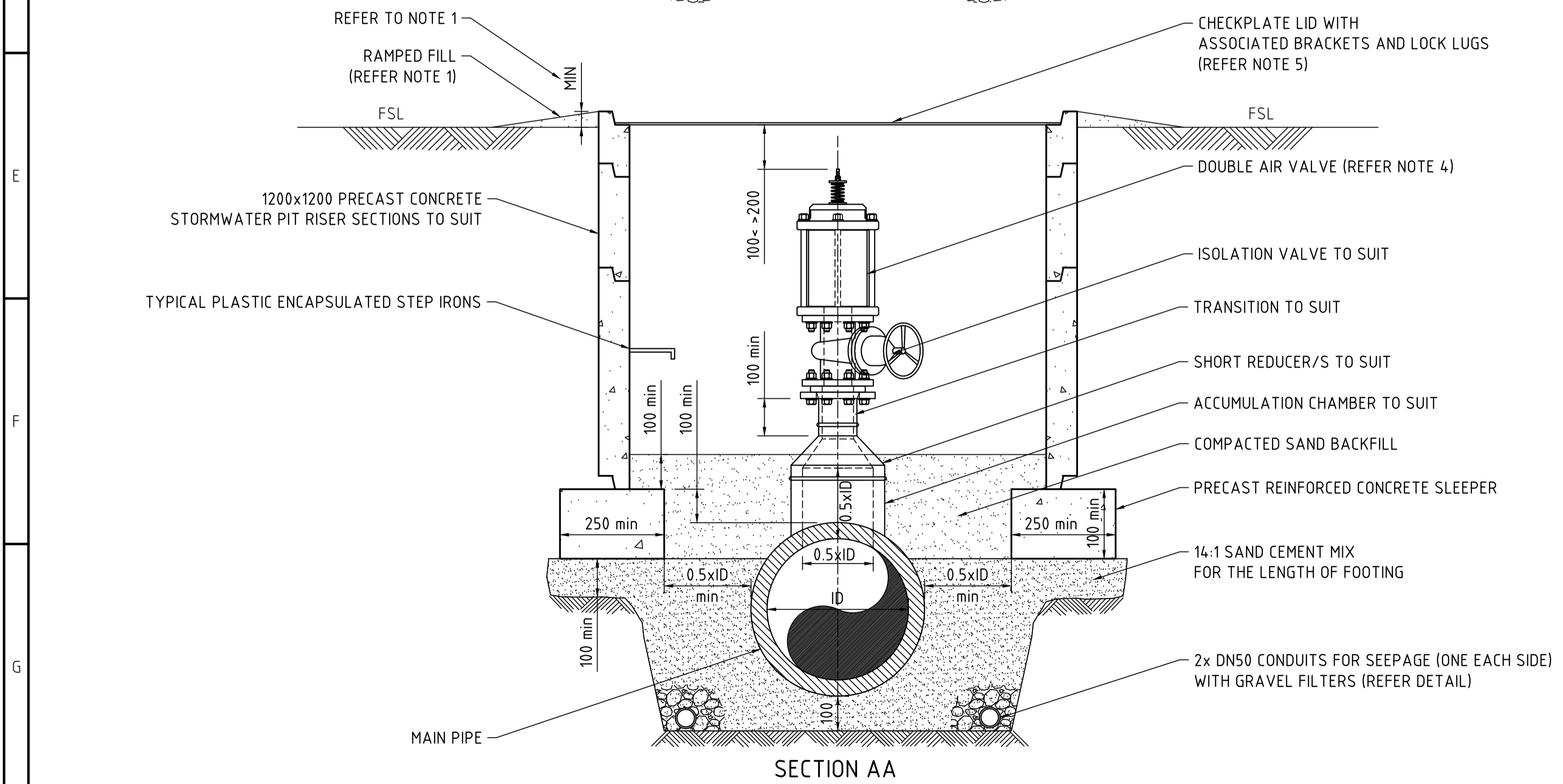
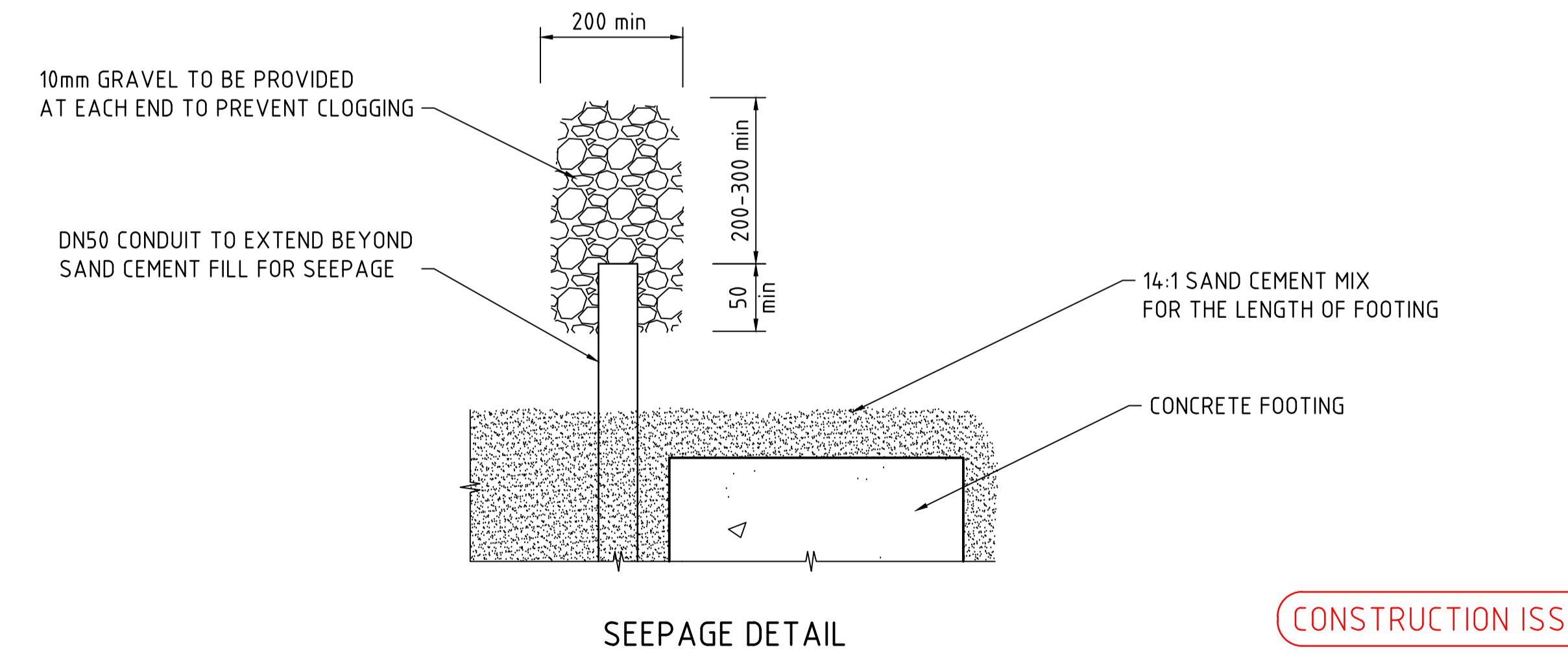


- NOTES:
- TOP OF PIT IS TO BE
 - FLUSH WITH F.S.L. IN PAVED AREAS (20mm MIN ABOVE N.S.L. WITH APPROPRIATE ADDITIONAL RAMPED FILL)
 - 50mm MIN ABOVE FSL WITHIN ROAD RESERVES IN RESIDENTIAL AREAS WITH APPROPRIATE BOLLARD PROTECTION.
 - 300mm MIN ABOVE FSL IN RURAL AREAS WITH APPROPRIATE BOLLARD PROTECTION.
 - TYPICAL 1200x1200 PRECAST STORM WATER RISER SECTIONS TO BE USE FOR ACCESS CHAMBERS.
 - ACCESS CHAMBER TO BE OFF-CENTERED AND POSITIONED 300mm FROM THE D.A.V. FOR IMPROVED ACCESS.
 - DOUBLE AIR VALVE (D.A.V.) AS SPECIFIED.
 - ALLUMINIUM CHECKPLATE LID TO HAVE 4x LIFTING HANDLES, ATTACHED CENTRAL SUPPORT BAR AND IS TO BE SECURED TO 4 BY 316 SS BRACKETS ON CORNERS AND 2x 316 SS LOCK LUGS (REFER PLAN 24066-002 FOR DETAILS) (IN TRAFFICABLE AREAS AN ALTERNATIVE LID DESIGN IS TO BE PRE-APPROVED BY SHOALHAVEN WATER)
 - ACCUMULATION CHAMBER IS TO BE USED ON ALL MAINS GREATER THAN DN250 (UNLESS PREVIOUSLY EXEMPTED BY SHOALHAVEN WATER DESIGN STAFF)
 - ACCUMULATION CHAMBER WIDTH & HEIGHT TO BE CLOSE AS PRACTICABLE TO HALF THE INTERNAL DIAMETER (ID) OF THE MAIN PIPE .
IE; ACCUMULATION CHAMBER = 0.5 x MAIN PIPE INTERNAL DIAMETER = 0.5 x ID
 - HEIGHT OF PRECAST ACCESS CHAMBER IS TO BE GOVERNED BY THE:
 - DEPTH OF THE MAIN
 - SIZE OF ACCUMULATION CHAMBER
 - TOTAL HEIGHT OF TAPER, RISER, STOP VALVE AND APPROVED D.A.V.
 - MINIMUM CLEARANCE
 - MINIMUM HEIGHT ABOVE F.S.L.
 - BOLLARD PROTECTION IS TO BE INSTALLED, REFER TO TYPICAL BOLLARD PROTECTION ARRANGEMENT (DRG 24066-004)



- ABBREVIATIONS:
- | | |
|--------|-------------------------------|
| ID | INTERNAL DIAMETER |
| 0.5xID | HALF OF THE INTERNAL DIAMETER |
| D.A.V. | DOUBLE AIR VALVE |
| DN | NOMINAL DIAMETER |
| PE100 | HIGH DENSITY POLYETHYLENE |
| PN | PRESSURE RATING |
| min | MINIMUM |
| F.S.L. | FINISHED SURFACE LEVEL |
| SS | STAINLESS STEEL |



CONSTRUCTION ISSUE

CONSULTANT DETAILS:				DESIGNED: L.L.		DATE: 1-05-2015		COMPANY: S.W.		TITLE: RECLAIMED WATER STANDARD DRAWING					
				DRAWN: R.D.		DATE: 1-05-2015		COMPANY: S.W.		TITLE: TYPICAL AIR VALVE PIT (NON TRAFFICABLE)					
				CHECKED: L.L.		DATE: 2-06-2015		COMPANY: S.W.							
				APPROVED: R.H.		DATE: 24-06-2016		COMPANY: S.W.		SIZE: A1		SCALE: N.T.S.		INDEX No. 10	
REVISION DETAILS				DRAWN: DWN		DATE: 13-10-16				DRAWING No. 24066		SHEET 001		REV No. 1	
1 ISSUED FOR CONSTRUCTION				R.D.		13-10-16									
0 ISSUED FOR TENDER				R.D.		24-06-16									
No.				DWN		DATE									

