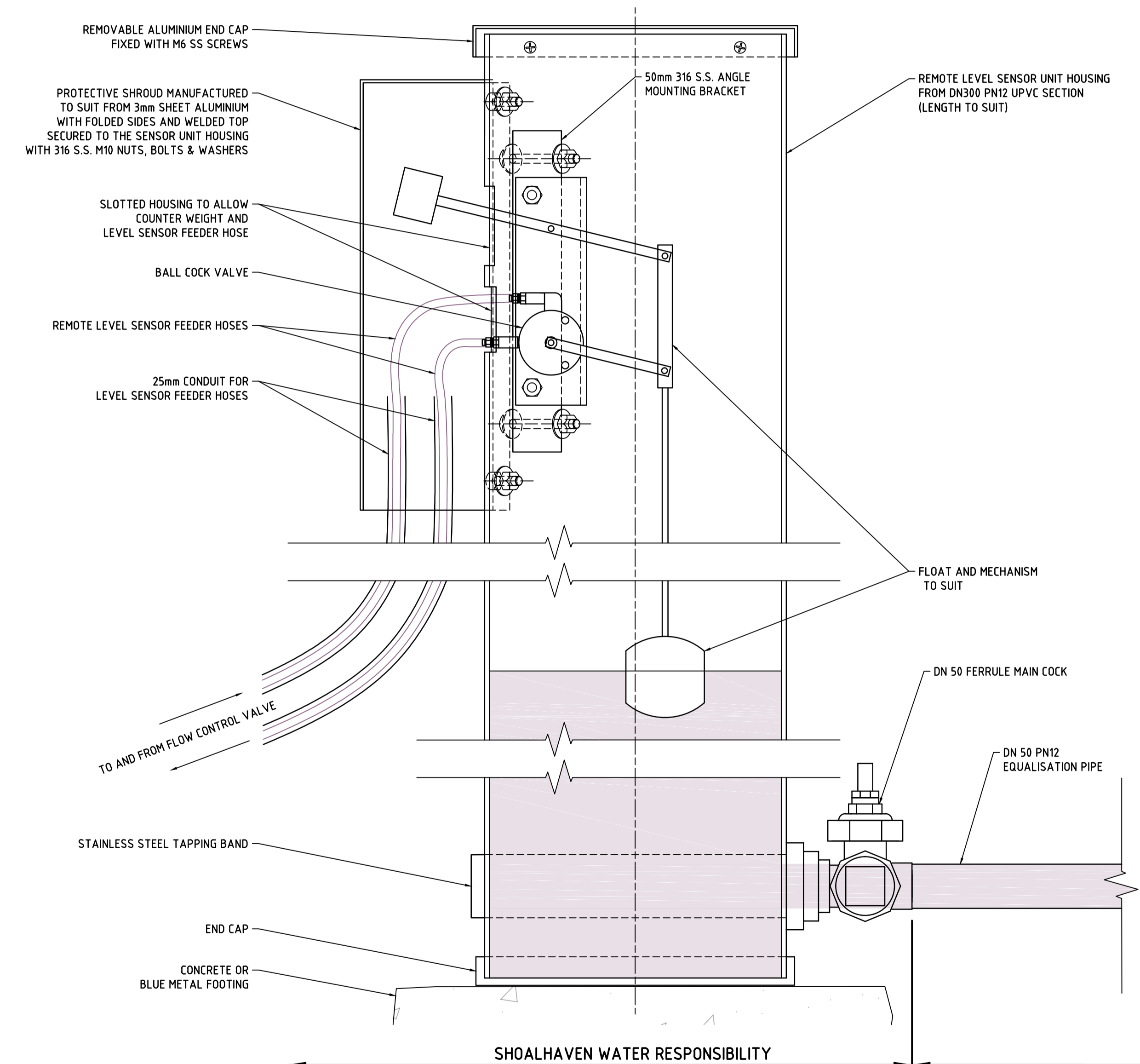
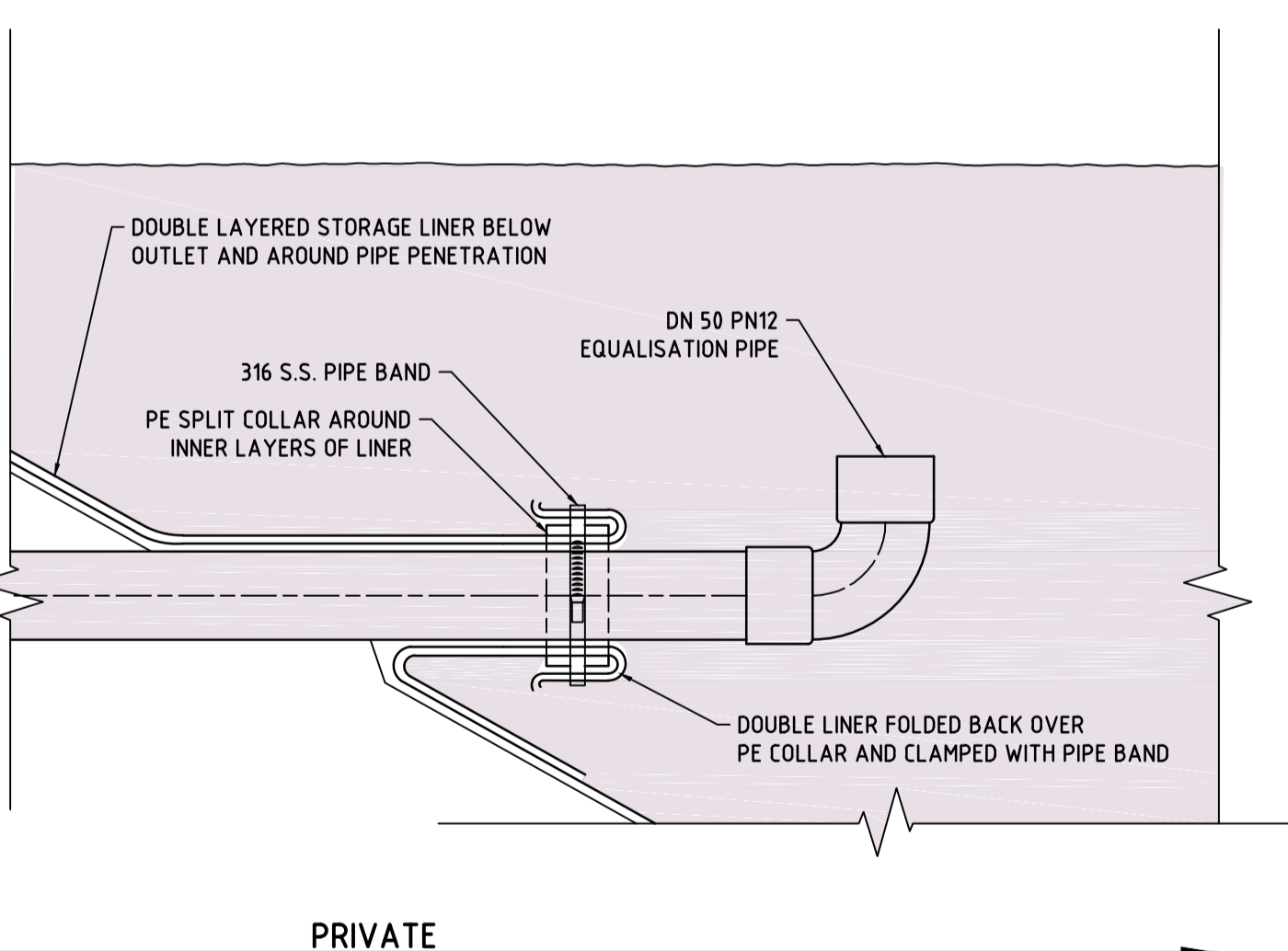


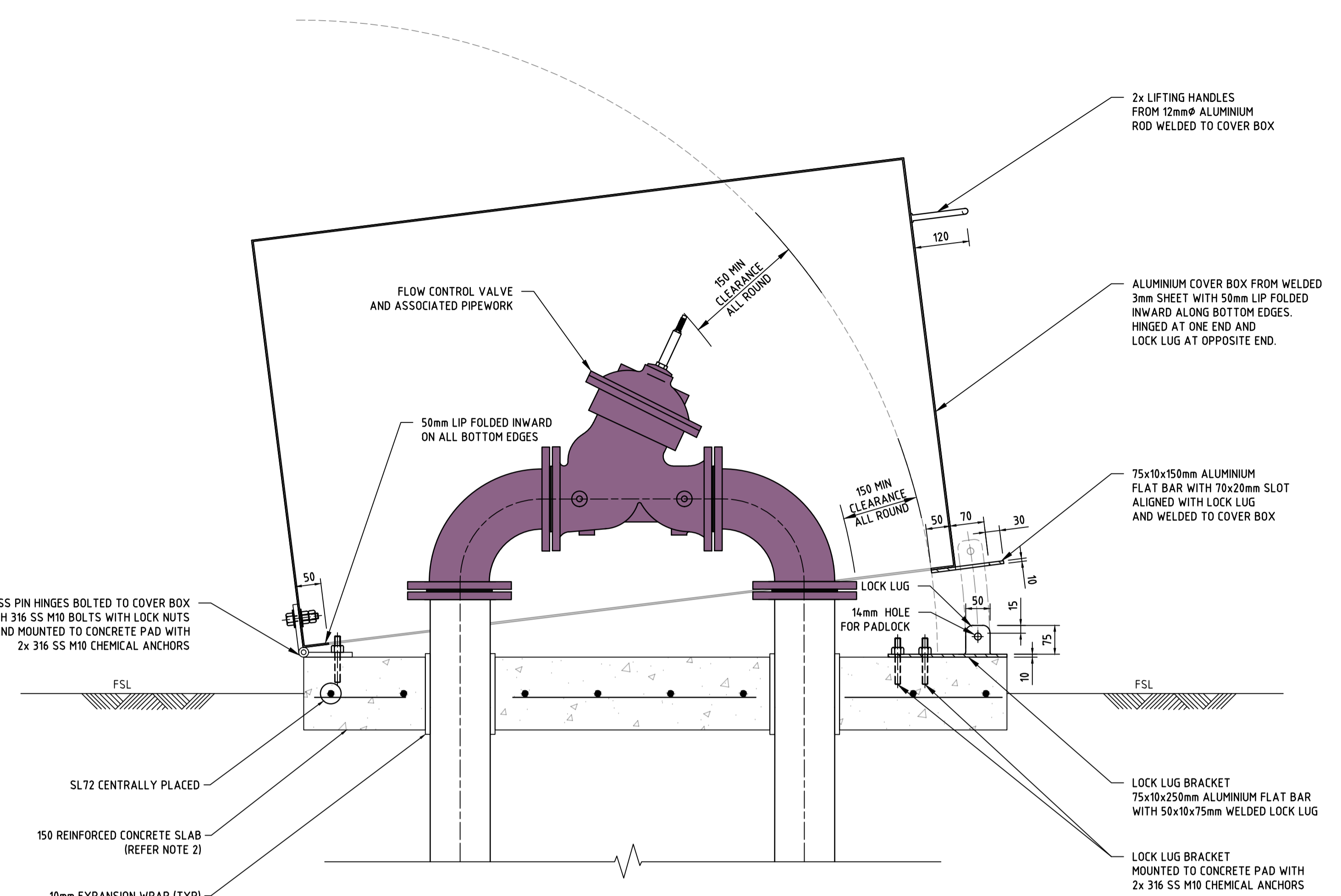
**DETAIL 1 - REMOTE LEVEL SENSOR UNIT
DETAILED PLAN**



**DETAIL 1 - REMOTE LEVEL SENSOR UNIT
SECTION A-A**



**DETAIL 2 - DAM LINER PENETRATION OF EQUALISATION PIPE
DETAILED ELEVATION**



**DETAIL 3 - HINGED ALUMINIUM COVER BOX WITH LOCKING LUG
DETAILED ELEVATION**

NOTES:

1. ALUMINIUM COVER BOX IS TO HAVE A MINIMUM OF 150mm CLEARANCE IN ALL DIRECTIONS FROM FLOW CONTROL VALVE WHILE BOTH CLOSED AND OPENING.
2. CONCRETE SLAB TO BE SIZED WITH CONSIDERATION TO REQUIREMENTS OF ALUMINIUM COVER BOX.
4. HOUSING FOR REMOTE LEVEL SENSOR UNIT IS TO BE CONSTRUCTED AND SLOTTED TO ALLOW FULL RANGE OF MOVEMENT OF BALL COCK VALVE MECHANISM.
3. NEOPRENE WASHERS AND PACKERS TO BE USED TO ELIMINATE CONTACT BETWEEN ALL ALUMINIUM AND STAINLESS STEEL FITTINGS, BOLTS, ETC.
4. ALL DIMENSIONS ARE IN mm UNLESS OTHERWISE STATED.

PRELIMINARY ISSUE
NOT FOR CONSTRUCTION

CONSULTANT DETAILS:				DESIGNED: R.D. DATE: 1-6-15 COMPANY: S.W.		DRAWN: R.D. DATE: 1-7-15 COMPANY: S.W.		CHECKED: D.T. DATE: 21-8-15 COMPANY: S.W.		APPROVED: D.B. DATE: COMPANY: S.W.		TITLE: RECLAIMED WATER MANAGEMENT SCHEME REMS 1B SERVICE 80mm OR GREATER TYPICAL FLOW CONTROL VALVE ARRANGEMENT REMOTE LEVEL SENSOR UNIT DETAIL & FLOW CONTROL VALVE COVER BOX	
CONSULTANT REFERENCE No.				SIZE: A1 SCALE: N.T.S. INDEX No.		DRAWING No. 24066		SHEET 013		REV No. A			
REVISION DETAILS				No. 1		2		3		4		5	
No.				1		2		3		4		5	