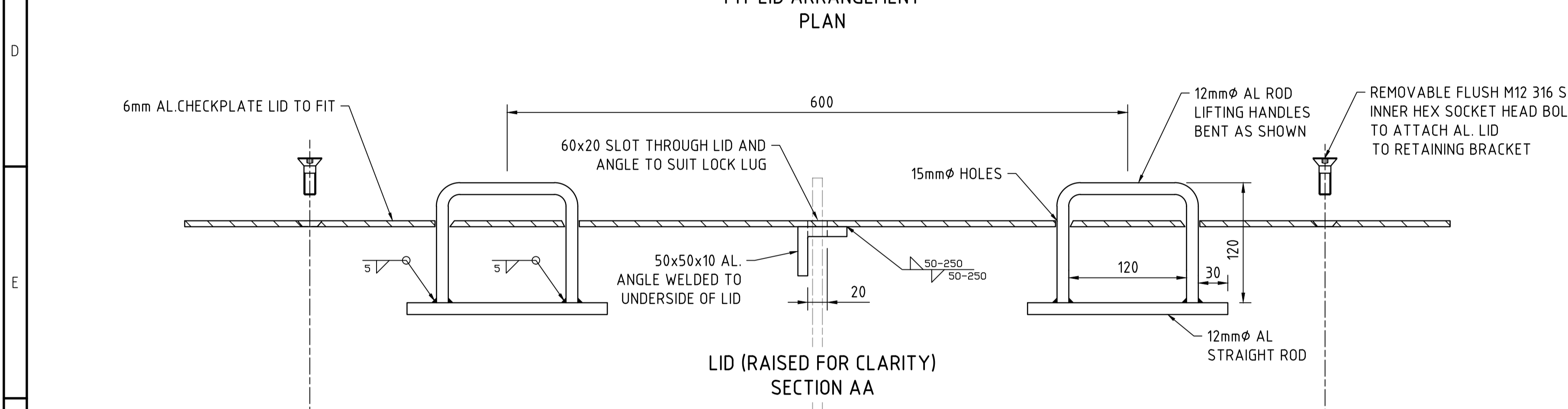
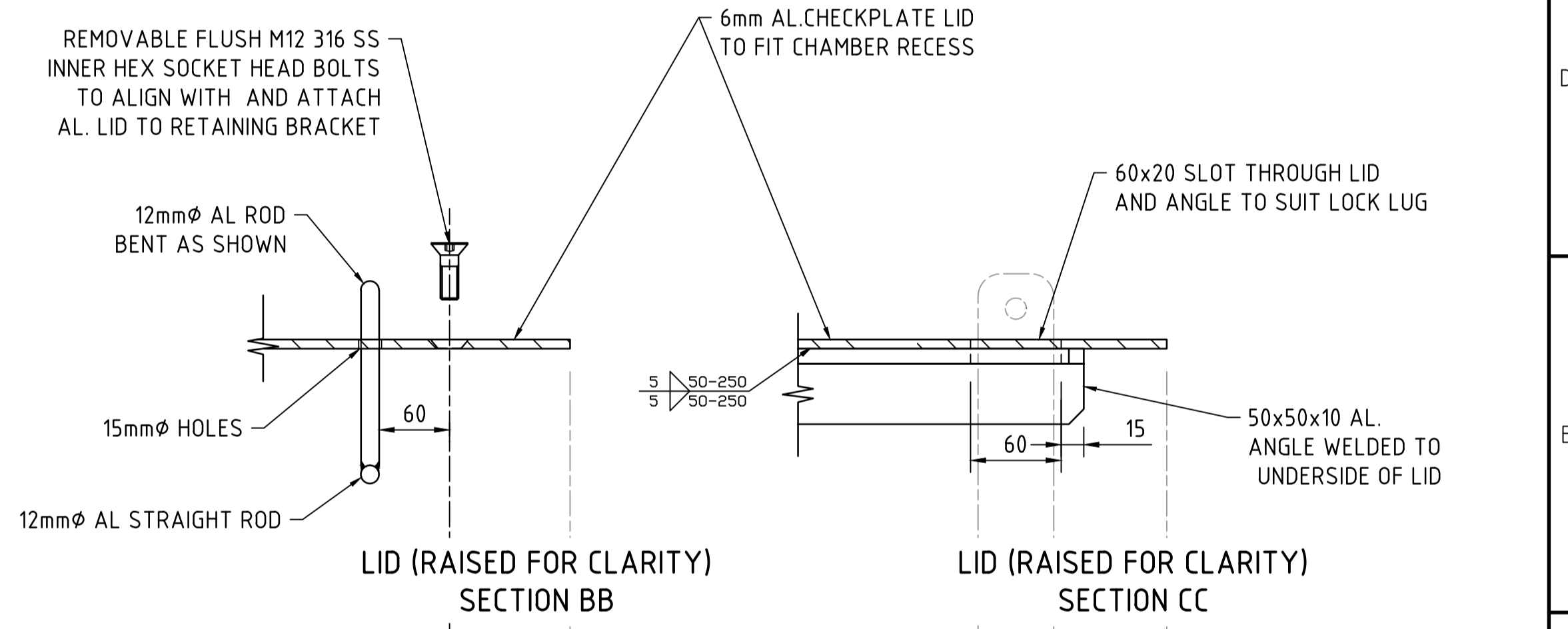


PIT LID ARRANGEMENT PLAN

- NOTES:
- LID TO BE:
 - SINGLE PIECE OF 6mm ALUMINIUM CHECKPLATE.
 - FITTED NEATLY ON THE RECESS OF THE CHAMBER. (10mm TOLERANCE)
 - DRILLED AND COUNTERSUNK TO ATTACHED 4x M12 316 SS FLUSH INNER HEX SOCKET HEAD BOLTS TO 4x316 SS CORNER BRACKETS.
 - STRENGTHENED WITH A 50x50x10 ALUMINIUM ANGLE LID SUPPORT WELDED CENTRALLY TO THE UNDERSIDE OF THE LID.
 - SLOTTED THROUGH THE LID SUPPORT ANGLE AT EACH END TO ALIGN WITH 2x LOCK LUGS AND BRACKETS. (5mm TOLERANCE)
 - SECURED TO 2x LOCK LUGS WITH 2x PADLOCKS. (PADLOCKS SUPPLIED BY SHOALHAVEN WATER)
 - FITTED WITH 4x LIFTING HANDLES. (2x EACH SIDE)
 - 4x CORNER BRACKETS TO BE:
 - MANUFACTURED FROM 50x50x10mm 316 SS ANGLE.
 - ATTACHED TO INNER PIT WALL WITH 2x 316 SS M12 CHEMICAL ANCHORS EACH. (AS PER MANUFACTURERS INSTRUCTIONS)
 - FITTED WITH 316 SS M12 NUTS WELDED TO THE UNDER SIDE TO ALIGN WITH LID BOLTS.
 - 2x LOCK LUG BRACKETS TO BE:
 - MANUFACTURED FROM 75x75x10mm 316 SS ANGLE.
 - ATTACHED TO INNER PIT WALL WITH 2x 316 SS M12 CHEMICAL ANCHORS EACH. (AS PER MANUFACTURERS INSTRUCTIONS)
 - CUT TO INCORPORATE THE LOCK LUG AT THE TOP OF THE BRACKET.
 - LOCK LUG TO PASS THROUGH THE SLOTTED LID AND LID SUPPORT ANGLE.
 - ALL EXPOSED EDGES AND CORNERS TO BE DE-BURRED ROUNDED OFF.
 - NEOPRENE WASHERS AND PACKERS TO BE USED TO ELIMINATE CONTACT BETWEEN ALL ALUMINIUM AND STAINLESS STEEL FITTINGS, BOLTS, ETC.
 - IN TRAFFICABLE AREAS AN ALTERNATIVE LID DESIGN IS TO BE PRE-APPROVED BY SHOALHAVEN WATER.

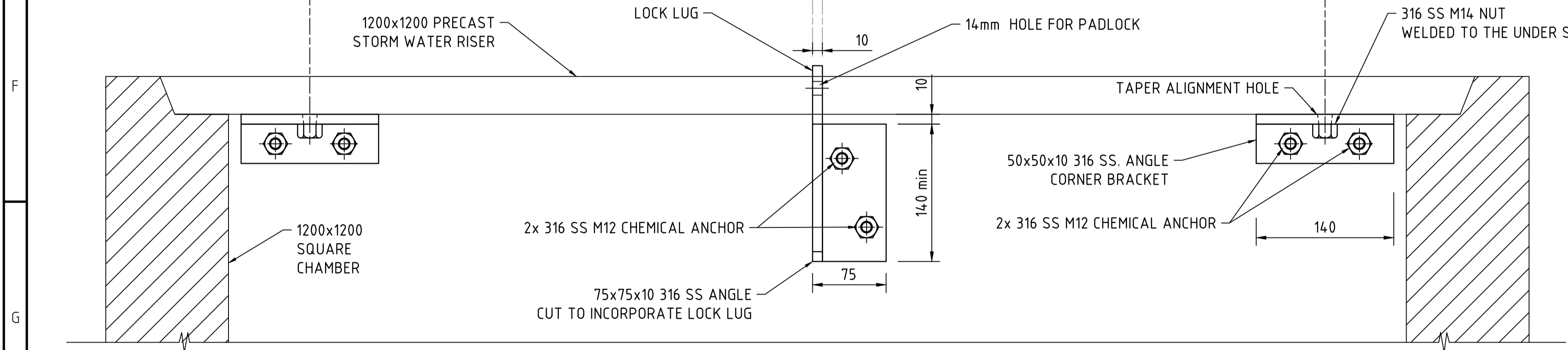


LID (RAISED FOR CLARITY) SECTION AA

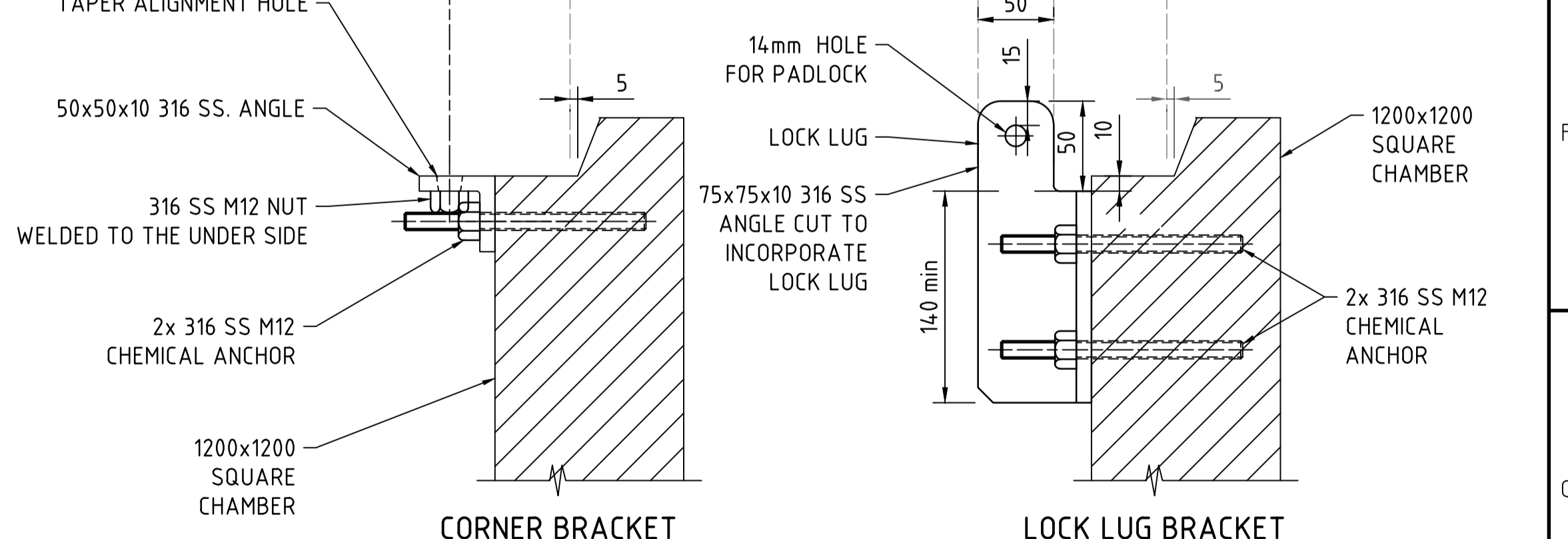


LID (RAISED FOR CLARITY) SECTION BB

LID (RAISED FOR CLARITY) SECTION CC



PIT AND BRACKETS SECTION AA



CORNER BRACKET SECTION BB

LOCK LUG BRACKET SECTION CC

PRELIMINARY ISSUE
NOT FOR CONSTRUCTION

CONSULTANT DETAILS:				<p>A Group of Shoalhaven City Council</p>	DESIGNED:	DATE:	COMPANY:	TITLE:				
					R.D.	1-5-2015	S.W.	SHOALHAVEN WATER SUPPLY				
					DRAWN:	DATE:	COMPANY:	STANDARD DRAWING				
					R.D.	1-5-2015	S.W.	TYPICAL ALUMINIUM LID				
				CHECKED:	DATE:	COMPANY:	TO SUIT TYPICAL 1200x1200 SQUARE PIT					
				L.L.	2-6-2015	S.W.	(NON TRAFFICABLE)					
				APPROVED:	DATE:	COMPANY:	SIZE:	SCALE:	INDEX No.	DRAWING No.	SHEET	REV No.
				R.H.	2-6-2015	S.W.	A1	N.T.S.		20855	010	0
REVISION DETAILS												
No.												
0	ISSUED FOR TENDER			R.D.	3-6-2015							
				DWN	DATE							