

GENERAL NOTES

- G1. ALL FENCES, GATE SIZES AND DIMENSIONS ARE TO BE CHECKED ON SITE PRIOR TO FABRICATION. ANY DISCREPANCIES SHALL BE REPORTED TO THE PRINCIPAL'S AUTHORISED PERSON IMMEDIATELY.
- G2. ALL FENCES SHALL HAVE AN OUTWARD FACING 36 DEGREES CANT WITH 3 ROWS OF HEAVY DUTY BARBED WIRE.
- G3. ALL MESH SHALL BE SUPPORTED ON ALL 4 SIDES (POSTS, TOP AND BOTTOM RAILS) IN ACCORDANCE WITH THE MANUFACTURER'S RECOMMENDATIONS.
- G4. FENCE SETOUTS SHOWN ARE INDICATIVE ONLY AND TO BE AGREED ON SITE PRIOR TO COMMENCING EXCAVATION.
- G5. FENCE POSTS SHOULD BE SETOUT TO AVOID EXISTING SERVICES WHERE POSSIBLE.
- G6. THIS DRAWING IS TO BE READ IN CONJUNCTION WITH THE SITE SECURITY AND FENCING SECTIONS OF THE SPECIFICATION.

STRUCTURAL STEEL (FENCING ONLY)

- S1. FABRICATION AND ERECTION OF ALL STRUCTURAL STEELWORK TO BE IN ACCORDANCE WITH AS4100. ALL STEELWORK SHALL BE WELDED AND HOLES ON POSTS OR GATES SHALL BE PRE DRILLED PRIOR TO DELIVERY TO SITE. ALL FABRICATED STEELWORK IS TO BE HOT DIP GALVANISED IN ACCORDANCE WITH AS4680.
- S2. SUBMIT ALL SHOP DRAWINGS AND DESIGN CALCULATIONS TO THE PRINCIPAL'S AUTHORISED PERSON FOR ENDORSEMENT PRIOR TO COMMENCING FABRICATION.
- S3. ANY DAMAGE TO THE PROTECTIVE COATING OF STEELWORK SHALL BE BROUGHT TO THE ATTENTION OF THE PRINCIPAL'S AUTHORISED PERSON.
- S4. ALL WELDS SHALL BE (6mm) CONTINUOUS FILLET WELD UNLESS NOTED OTHERWISE ON THE DRAWING.

BARBED WIRE

- W1. WIRE IS TO BE 2.5mm HEAVY GALVANISED 'IOWA' BARBED WIRE AT 110mm MAX CENTRES.
- W2. BARBED WIRE IS TO BE STRAINED AND SECURED TO EACH POST.

FENCE POST AND RAILS

- F1. POST SPACING TO BE 2366mm MAX.
- F2. ALL POSTS, RAILS AND FITTINGS SHALL BE POWDER COATED MATT BLACK AND SHALL BE FITTED WITH EARTH TAGS EXCEPT AT THESE LOCATIONS:
 - BACK FACE OF RAILS WHERE IT IS ATTACHED TO THE FENCE MESH;
 - BOTH ENDS OF FACE OF RAILS WHERE IT IS ATTACHED TO THE FENCE POST;
 - BACK OF FRONT FLANGE OF FENCE POSTS WHERE THE FENCE MESH AND RAILS ARE ATTACHED TO; AND
 - ALL THE FOUR SIDES OF FENCE MESH WHERE IT IS ATTACHED TO THE FENCE POSTS AND RAILS.
- F3. LOCATION OF POSTS SHALL BE CLEAR OF EXISTING SERVICES/CONDUITS. NO POST SHALL BE LOCATED ABOVE EXISTING SERVICES/CONDUITS.

REINFORCEMENT (FENCING ONLY)

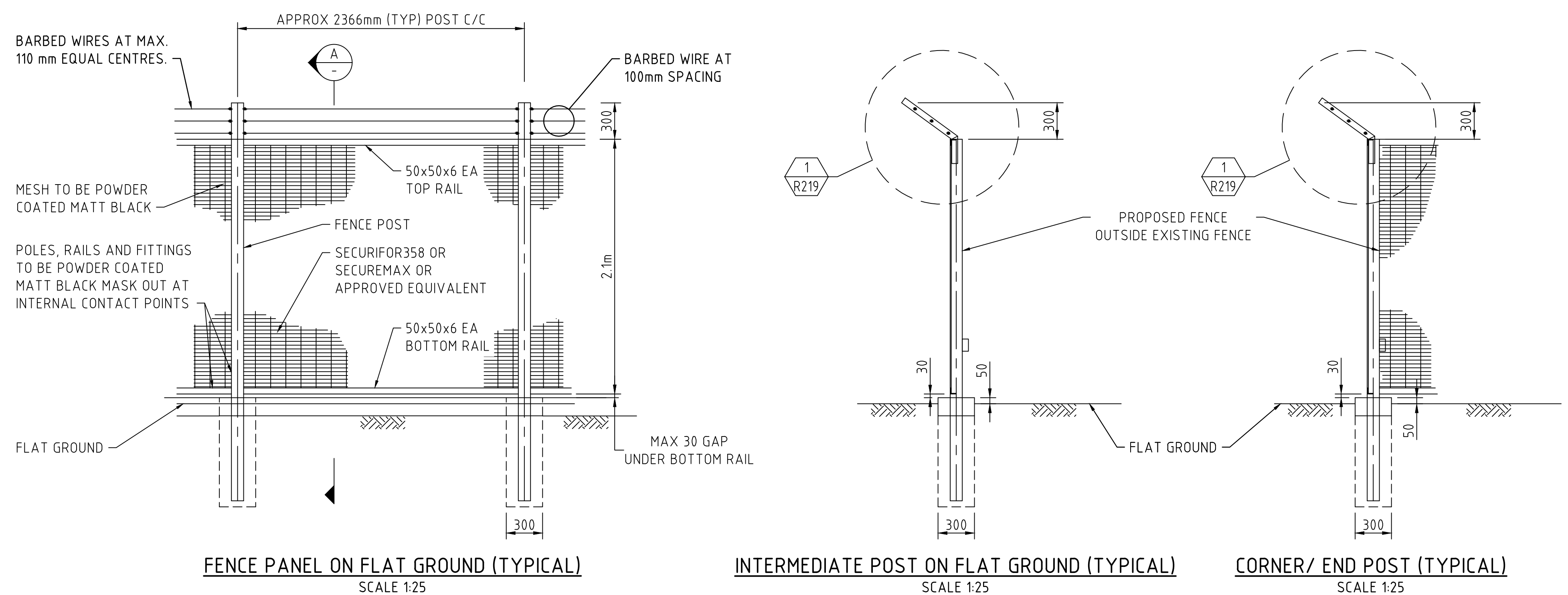
- R1. ALL REINFORCEMENT TO BE FIRMLY SUPPORTED AT NOT GREATER THAN 1m CENTRES BOTH WAYS, UNLESS NOTED OTHERWISE. BARS TO BE TIED AT ALTERNATE INTERSECTIONS.
- R2. REINFORCEMENT IS REPRESENTED DIAGRAMMATICALLY AND NOT NECESSARILY IN TRUE PROJECTION.
- R3. MINIMUM CONCRETE COVER TO REINFORCEMENT SHALL BE 50mm UNLESS NOTED OTHERWISE.
- R4. ALL REINFORCEMENT SHALL BE CONNECTED TO EARTH.

MESH

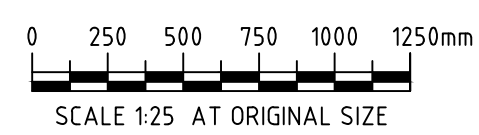
- M1. ALL WELDMESH SHALL BE SECURIFOR 358 OR SECUREMAX. OR PRINCIPAL'S AUTHORISED PERSON ENDORSED EQUIVALENT.
- M2. ALL WELDMESH SHALL BE POWDER COATED MATT BLACK. ENSURE 25mm WIDE AROUND PERIMETER OF MESH SHALL NOT BE POWDER COATED TO ENSURE CORRECT EARTHING.

CONCRETE (FENCING ONLY)

- C1. ALL WORKMANSHIP AND MATERIALS TO BE IN ACCORDANCE WITH AS3600 AND THE SPECIFICATION.
- C2. FOOTING DEPTH FOR 2400mm HIGH FENCE TO BE MIN 900mm. FOOTING DEPTH TO BE INCREASED TO 1300mm IN AREAS OF DISTURBED / IMPORTED FILL AS AGREED ON SITE.
- C3. ALL FOUNDATIONS AND MOWING STRIP TO FINISH min 50mm ABOVE SURROUNDING NATURAL SURFACE LEVEL UNLESS NOTED OTHERWISE.
- C4. ALL FOOTINGS SHALL BE FOUNDED IN SILTSTONE BEDROCK. IF OTHER MATERIAL IS ENCOUNTERED, CONTACT THE PRINCIPAL'S AUTHORISED PERSON.
- C5. FOOTINGS IN AREAS OF DISTURBED / IMPORTED FILL TO BE FOUNDED ON 95%MMDD.



A SECTION
SCALE 1:25



					CONSULTANT DETAILS:			 <p>A Group of Shoalhaven City Council</p>			DESIGNED: A. GALEA		DATE: 04/02/2020		COMPANY: SW		TITLE: SHOALHAVEN WATER STANDARD DRAWING SITE SECURITY WELDMESH FENCING DRAWING SHEET 1 OF 2								
											DRAWN: A. GALEA		DATE: 04/02/2020		COMPANY: SW										
								CHECKED: A. GALEA		DATE: 04/02/2020		COMPANY: SW													
					CONSULTANT REFERENCE No. G-20855-014			APPROVED: M. KIDD		DATE: 04/02/2020		COMPANY: SW		SIZE: A1		SCALE: 1:25		INDEX No. G		DRAWING No. 20855		SHEET 014		REV No. 0	
REVISION DETAILS					DWN		CHK		APP		DATE														