

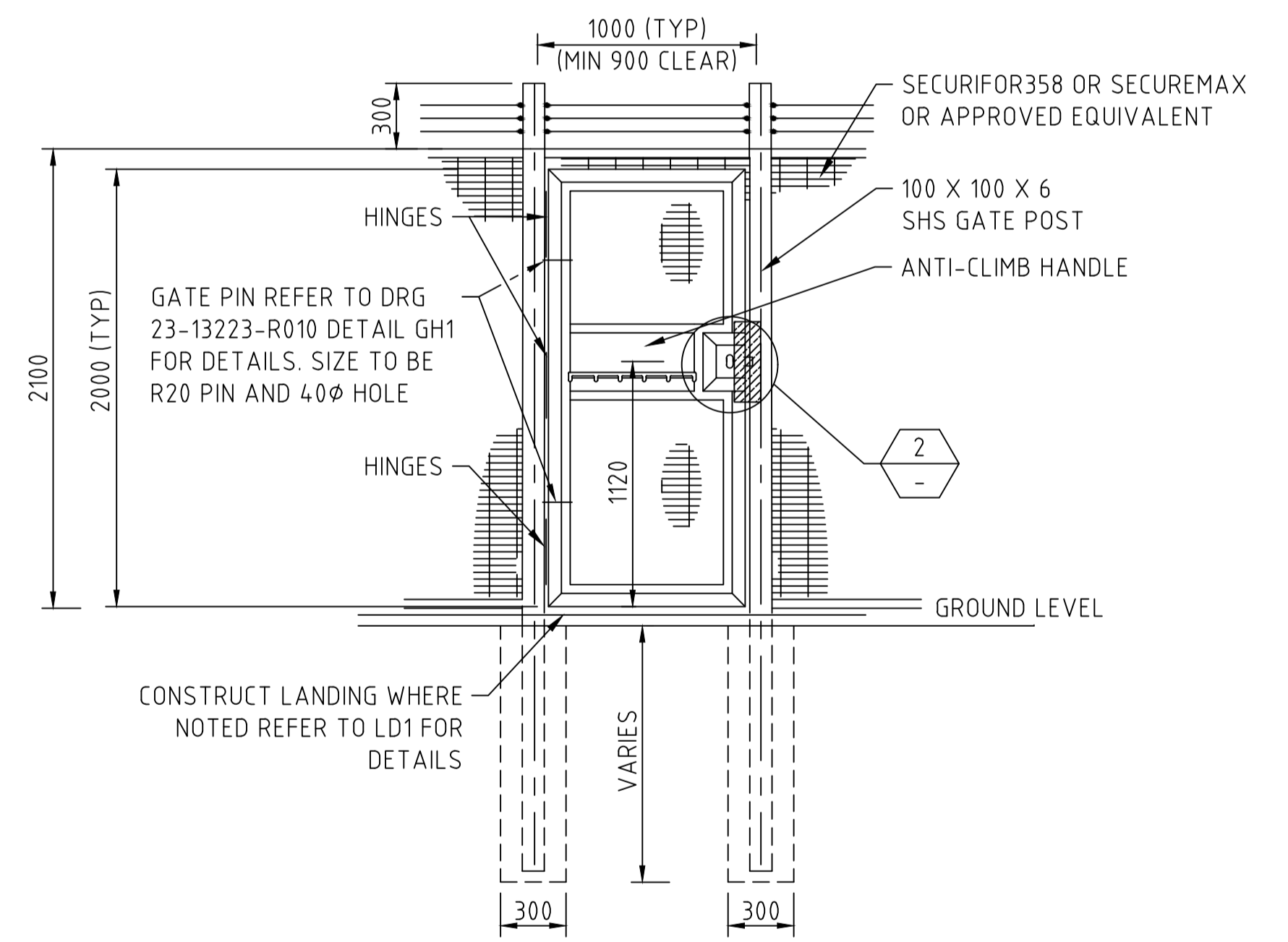
CANT DETAIL
TYPICAL

CORNER POST
TYPICAL

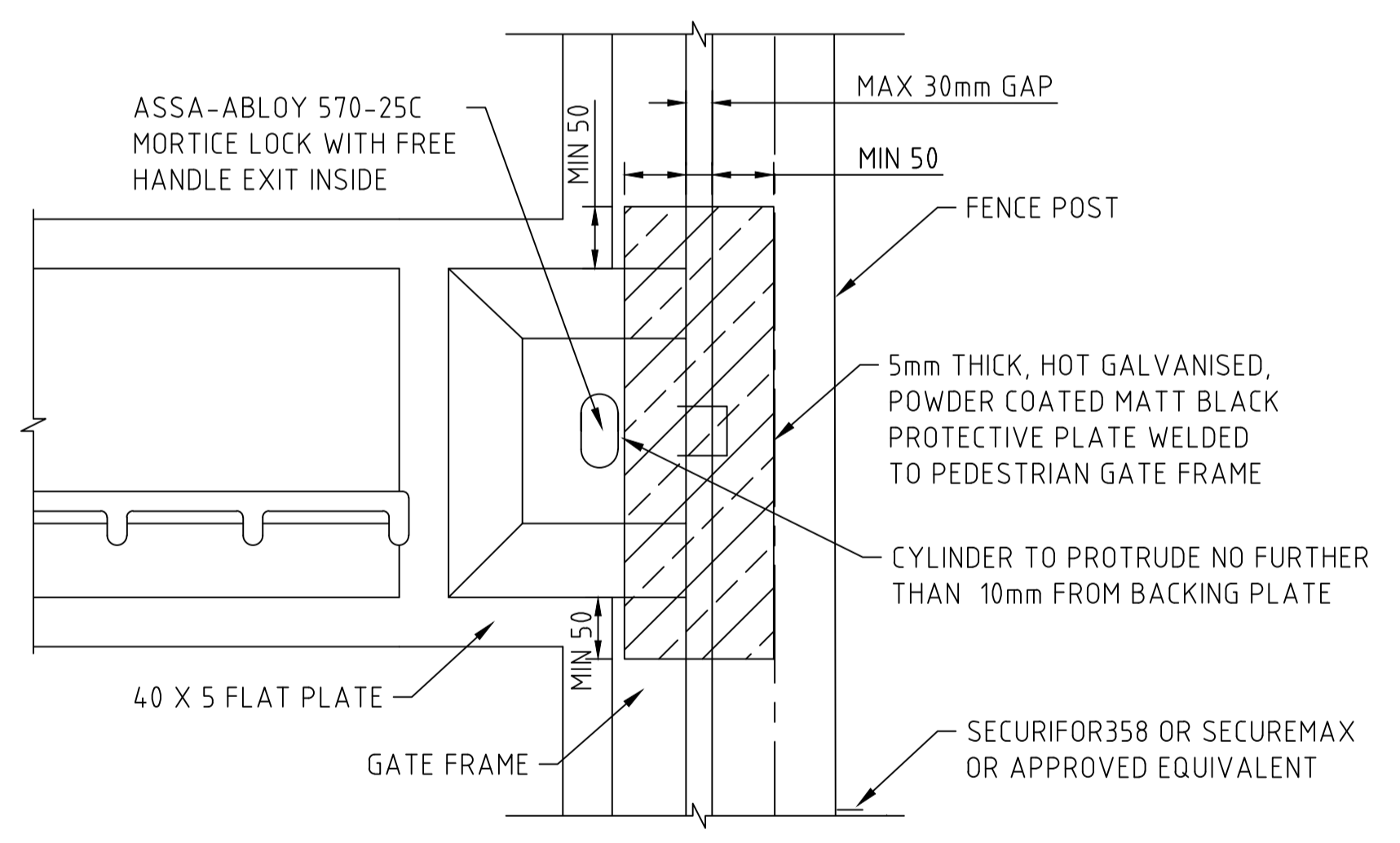
INTERMEDIATE POST
TYPICAL

1 DETAIL
R218 SCALE 1:10

TOP VIEW
SCALE 1:10



PERSONNEL ACCESS GATE
SCALE 1:25



2 DETAIL
SCALE 1:5

PERSONNEL ACCESS GATE VIEW FROM OUTSIDE
TYPICAL



						CONSULTANT DETAILS:			 A Group of Shoalhaven City Council			DESIGNED: A. GALEA		DATE: 04/02/2020		COMPANY: SW		TITLE: SHOALHAVEN WATER STANDARD DRAWING SITE SECURITY WELDMESH FENCING DRAWING SHEET 2 OF 2									
												DRAWN: A. GALEA		DATE: 04/02/2020		COMPANY: SW											
									CHECKED: A. GALEA		DATE: 04/02/2020		COMPANY: SW														
0 APPROVED ISSUE						AG AG MK 04/02/2020			CONSULTANT REFERENCE No. G-20855-015			APPROVED: M. KIDD		DATE: 04/02/2020		COMPANY: SW		SIZE: SCALE: A1 AS SHOWN		INDEX No. G		DRAWING No. 20855		SHEET 015		REV No. 0	
REVISION DETAILS						DWN CHK APP DATE																					